

EN **Electronic safe for hotels**
Installation and Operating Manual . . . 5

DE **Elektronischer Hotelsafe**
Montage- und Bedienungsanleitung 26

FR **Coffre-fort électronique pour hôtels**
Instructions de montage
et de service 48

ES **Caja fuerte electrónica para hoteles**
Instrucciones de montaje y de uso . 69

IT **Cassaforte elettronica per hotel**
Istruzioni di montaggio e d'uso 90

NL **Elektronische kluis voor hotels**
Montagehandleiding en
gebruiksaanwijzing 111

DA **Elektronisk safe til hoteller**
Monterings- og
betjeningsvejledning 132

SV **Elektroniskt kassaskåp för hotell**
Monterings- och bruksanvisning . . 153

NO **Elektronisk safe for hoteller**
Monterings- og bruksanvisning . . . 174

FI **Elektroninen tallelokero hotellikäyttöön**
Asennus- ja käyttöohje 195

PT **Cofre eletrônico para hotéis**
Instruções de montagem e manual de
instruções 216



**MD 281/MD 351/
MD 361/MD 381/
MD 406/MD 431/
MD 491**

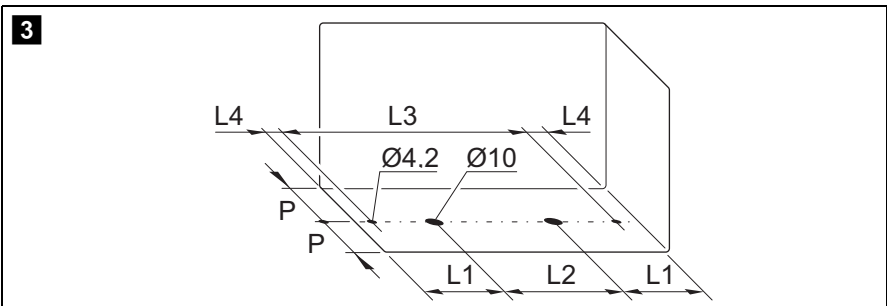
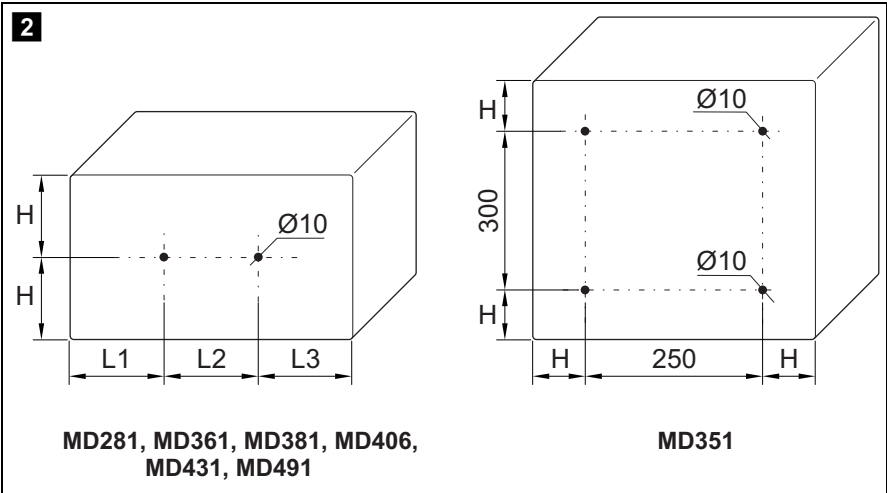
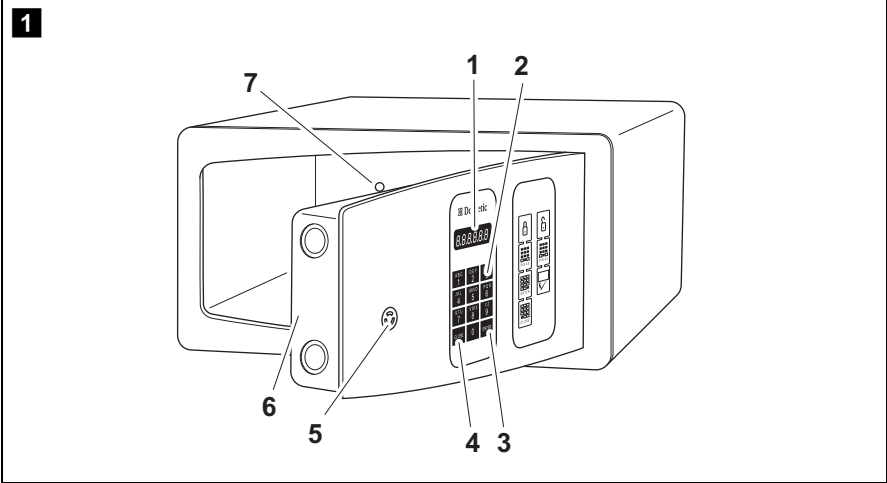
RU **Электронные сейфы для отелей**
Инструкция по монтажу и
эксплуатации 237

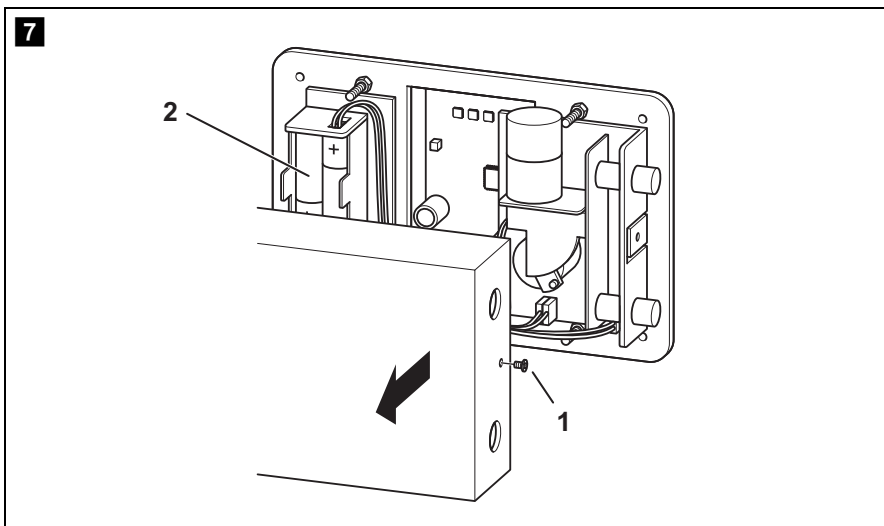
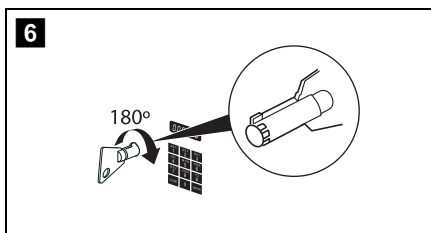
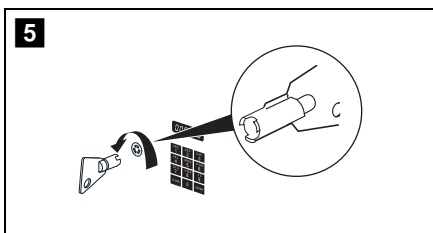
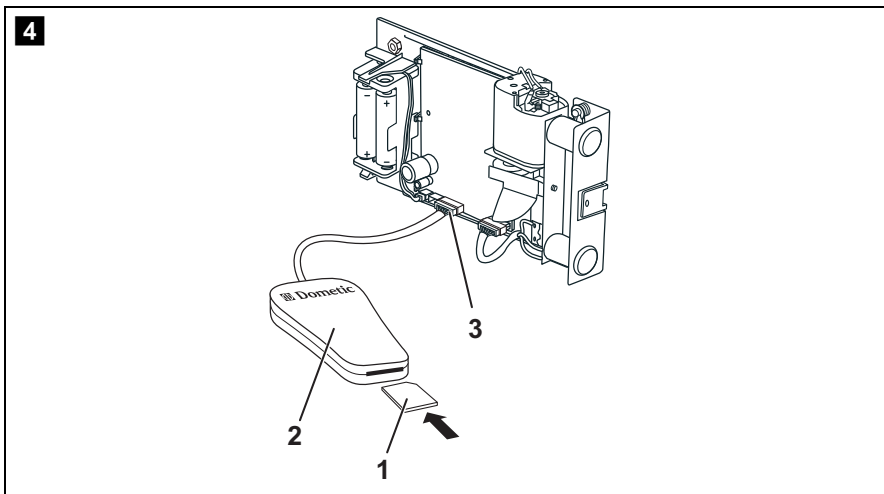
PL **Elektroniczny sejf dla hoteli**
Instrukcja montażu i obsługi 258

CS **Elektronický trezor pro hotel**
Návod k montáži a obsluze 279

SK **Elektronický trezor pre hotely**
Návod na montáž a uvedenie do
prevádzky 300

HU **Elektronikus hotelszéfek**
Szerelési és használati útmutató . 321





Please read this instruction manual carefully before installation and first use, and store it in a safe place. If you pass on the product to another person, hand over this instruction manual along with it.

Table of contents

1	Explanation of symbols	6
2	Safety instructions	6
3	Scope of delivery	7
4	Accessories	7
5	Intended use	7
6	Technical description	8
7	Installing safe	9
8	Using the safe	11
9	Replacing the batteries	21
10	Display messages	22
11	Troubleshooting	23
12	Maintaining and cleaning the safe	24
13	Warranty	24
14	Disposal	24
15	Technical data	25

1 Explanation of symbols

**WARNING!**

Safety instruction: Failure to observe this instruction can cause fatal or serious injury.

**CAUTION!**

Safety instruction: Failure to observe this instruction can lead to injury.

**NOTICE!**

Failure to observe this instruction can cause material damage and impair the function of the product.

**NOTE**

Supplementary information for operating the product.

- ▶ **Action:** This symbol indicates that action is required on your part. The required action is described step-by-step.
- ✓ This symbol describes the result of an action.

Fig. 1 5, page 3: This refers to an element in an illustration. In this case, item 5 in figure 1 on page 3.

2 Safety instructions

The manufacturer accepts no liability for damage in the following cases:

- Damage to the product resulting from mechanical influences
- Alterations to the product without express permission from the manufacturer
- Use for purposes other than those described in the operating manual

**WARNING!**

- This device can be used by children aged 8 years or over, as well as by persons with diminished physical, sensory or mental capacities or a lack of experience and knowledge, providing they are supervised, or have been taught how to use the device safely and are aware of the resulting risks.

- Only use the product as intended.
- Do not make any modifications or alterations to the product.

**NOTICE!**

- No unauthorised persons should have access to the master key and the master code. Store the master key very carefully in a safe location.

3 Scope of delivery

- Safe
- Key tool (delivered separately)
- Master key (delivered separately)
- Installation and operating manual (on request)

**NOTE**

Key tool and master key will be delivered separately.

4 Accessories

Available as accessories (not included in the scope of delivery):

Description	Item no.
Fixing kit	9106600005

5 Intended use

Dometic proSafe is a hotel safe in which guests can securely lock away their valuables.

6 Technical description

The control panel has a display and a key pad for entering the code. A master key and a master code are available for opening in an emergency.

The model can be identified from the type plate.

The remote emergency opening system (R.E.O.S.) allows functions to be used such as transmission of the entry code via a website (optional).

As an option the safe can be delivered with a socket fitted on the inside.

6.1 Control elements

No. in fig. 1, page 3	Description	
1	Display	
2	Number keys	
3	ENTER button	Confirms the code entered
4	CLOSE button	<ul style="list-style-type: none"> – Closes the safe after code is entered – Cancels the code entered
5	Lock for master key (behind cover)	
6	Locking mechanism cover	
7	Socket (optional) (hidden)	

7 Installing safe

7.1 Notes on installation

**NOTICE!**

The safe must only be installed by qualified specialists.

Follow the instructions when installing.

- Carefully check the safe for damage once you have removed it from the packaging. If there is visible damage, contact the manufacturer (see rear of safe for addresses).
- Install the safe on a flat and even surface.
- Select a location for installation which is a sufficient distance from heat sources (e.g. radiators). Avoid installing in locations with temperatures of under 0 °C and over 45 °C.
- Avoid damp ambient conditions (e.g. in the bathroom and swimming pool) in order to avoid condensation forming in the device.
- Select a fastening material (screws with plugs, if necessary) which is appropriate for the base.
- For safes with sockets (optional), ensure that they are located close to a socket to which the safe can be attached.
- For safes with sockets (optional) there must be a clearance of 20 mm at the back for the connection cable.

7.2 Attaching the safe

- Select a suitable installation location.
- Select an appropriate method for installation (attachment on the rear or on the underside).
- Mark the drill holes according to the table below:

Drilling on the rear (fig. 2, page 3)

Model	MD281	MD351	MD361	MD381	MD406	MD431	MD491
H	82.5 mm	50 mm	95 mm	95 mm	95 mm	95 mm	95 mm
L1	35 mm	–	75 mm	85 mm	97,5 mm	110 mm	140 mm
L2	210 mm	–	210 mm	210 mm	210 mm	210 mm	210 mm

Drilling on the underside (fig. 3, page 3)

Model	MD281	MD351	MD361	MD381	MD406	MD431	MD491
L1	35 mm	70 mm	75 mm	85 mm	97,5 mm	110 mm	140 mm
L2	210 mm	210 mm	210 mm	210 mm	210 mm	210 mm	210 mm
L3	–	–	–	–	378 mm	–	463 mm
L4	–	–	–	–	13.5 mm	–	13.5 mm
P	117.5 mm	63.5 mm	205 mm	225 mm	175 mm	205 mm	185 mm

- Pre-drill the hole in the mounting location (e.g. in the wall or cupboard).
- Attach the safe with a suitable fastening material.
- Only for safes with an interior socket (optional): Plug the connection cable into the socket.

8 Using the safe

8.1 Operating functions for guests

Closing the safe



- Enter a four digit code.
- Press the **ENTER** button.
- Press the **CLOSE** button.
- ✓ **CLOSED** appears on the display.

Opening the safe



- Enter the correct four digit code.
- ✓ The code entered is shown in the display.
- ✓ The safe will open.
- ✓ **OPEN** appears on the display.



NOTE

If an incorrect code is entered, the message **ERROR** appears on the display.

After five incorrect attempts, the safe will remain blocked for six minutes and no further entries are possible. As soon as a button is pressed, the message **ERROR5** appears on the display.

8.2 Emergency opening using R.E.O.S. (optional)



NOTE

- You need access to the Internet to use R.E.O.S.
- You must be registered on the internet at **www.sam.dometic.com** to be able to use the functions available there.
- The safe must be preconfigured accordingly to be able to use the R.E.O.S function. Please contact the manufacturer if you have any questions (see rear of safe for addresses).

The remote emergency opening system (R.E.O.S.) gives a new code in case that the user forgot the code used to close the safe.

Open the safe with R.E.O.S code



- Press the **ENTER** button.
- Enter the six digit R.E.O.S code.
- Press the **ENTER** button.
- ✓ After five seconds, a ten digit alphanumeric code will be shown on the display.



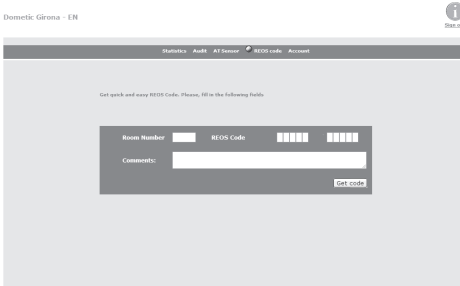
NOTE

The code will be shown in two parts.

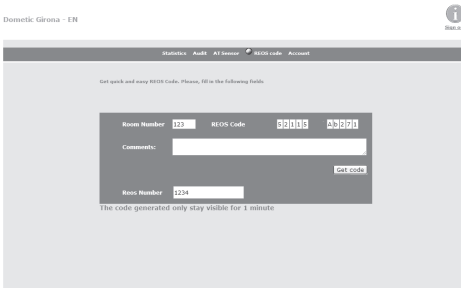
Example: For the code 52115Ab271, **52115** will be displayed to start with, followed by **-Ab271**.

- Go to the **www.sam.dometic.com** page on the internet.
- Enter your login data.
- Select **R.E.O.S. code** from the menu.
- Enter the number of the safe (e.g. room number) and the ten digit alphanumeric code.

► Click **Get code**.



✓ A new code will be displayed for one minute.



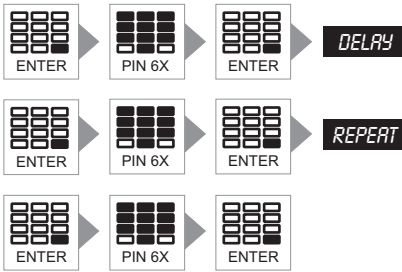
Changing R.E.O.S code



NOTICE!

- If you forget your R.E.O.S code, nobody can access the safe any more (not even the manufacturer). **No** resetting, or similar action, is possible.
- Therefore note down the R.E.O.S code and store it very carefully in a safe location.
- The safe has a factory setting code. We strongly recommend that you change this code for security reasons.

You can change the factory setting code (210104). The safe must be locked for this.



- Press the **ENTER** button.
- Enter the six digit R.E.O.S code.
- Press the **ENTER** button.
- ✓ The display shows the message **DELAY**.

- Press the **ENTER** button.
- Enter a new six digit R.E.O.S code within ten seconds.
- Press the **ENTER** button.
- ✓ The display shows the message **REPEAT**.

- Press the **ENTER** button.
- Repeat the entry of the new six digit R.E.O.S. code within ten seconds.
- Press the **ENTER** button again.
- ✓ The safe confirms the change of the R.E.O.S code with an audio tone.

8.3 Emergency opening using master code

The master code is necessary if guests have left the safe locked or have forgotten their code.

Opening safe with the master code



- ▶ Press the **ENTER** button.
- ▶ Enter the correct six digit master code.
- ▶ Press the **ENTER** button.
- ✓ The display shows the message **DELAY**. The door opens automatically after ten seconds.

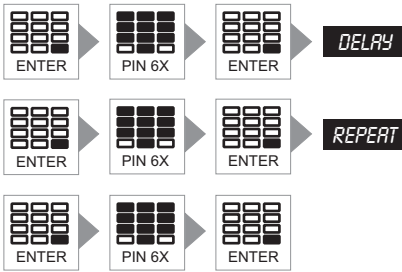
Changing the master code



NOTICE!

- If you forget your master code, nobody can access the safe any more (not even the manufacturer). **No** resetting, or similar action, is possible.
- Therefore note down the master code and store it very carefully in a safe location.
- The safe has a factory setting code. We strongly recommend that you change this code for security reasons.

You can change the factory setting code (210104). The safe must be locked for this.



- Press the **ENTER** button.
- Enter the correct master six digit master code.
- Press the **ENTER** button.
- ✓ The display shows the message **DELAY**.

- Press the **ENTER** button.
- Enter a new six digit master code within ten seconds.
- Press the **ENTER** button.
- ✓ The display shows the message **REPEAT**.

- Press the **ENTER** button.
- Repeat the entry of the new six digit master code within ten seconds.
- Press the **ENTER** button again.
- ✓ The safe confirms the change of the master code with an audio tone.

8.4 Emergency opening with the master key

Opening the proSafe with the master key

**NOTICE!**

No unauthorised persons should have access to the master key. Store the master key very carefully in a safe location.

The safe can be opened in all eventualities with the master key, even in the event of an electronic fault.

- Remove the plastic cover which covers the key hole with the key tool (fig. **5**, page 4).
- Put the master key into the key hole.
- Open the safe by turning the master key 180° to the right (fig. **6**, page 4).
- ✓ The bolts extend mechanically.

Change forgotten code with the master key

**NOTICE!**

No unauthorised persons should have access to the master key. Store the master key very carefully in a safe location.

The lock can be opened with the master key in case that the user forgot the code.

- Open the safe with the master key (see chapter “Opening the proSafe with the master key” on page 17).
- Leave the master key in this position and open the door
- Enter a new four digit code.
- Press the **ENTER** button.
- Turn the master key 180° to the left and remove the master key.
- ✓ The safe can now be opened with the new code.

8.5 Reading the memory (Audit) (optional)



NOTE

- You require access to the Internet to use the audit function.
- You must be registered on the internet at www.sam.dometic.com.

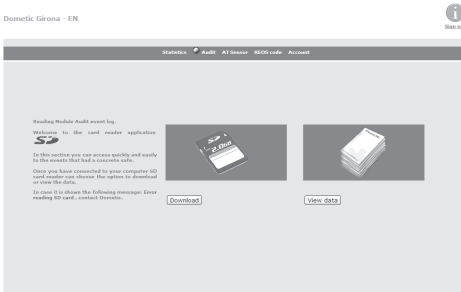
The safe has a permanent memory which records the last 1000 events.

Transferring data on to an SD card

- Insert an SD card (fig. **4** 1, page 4) into the SD card reader (fig. **4** 2, page 4) (not included in scope of delivery).
- Remove the screw for the cover (fig. **7** 1, page 4).
- Take off the cover.
- Connect the card reader device to the slot on the circuit board (fig. **4** 3, page 4).
- Press the **ENTER** button.
- Enter the code: 0141497167
- Press the **ENTER** button.
- ✓ The display shows the message **DATE**.
- Enter the date in the format dd/mm/yy.
- ✓ The display shows the message **HOUR**.
- Enter the time in the format hh/mm.
- ✓ The display shows the message **ROOM**.
- Enter the lock number (e.g room number).
- Press the **ENTER** button.
- ✓ The transfer of data on to the SD card begins.
- ✓ The data transfer is complete when the display goes out and three acoustic signals sound.

Reading data on the computer

- Insert the SD card into an appropriate card reader slot on your computer.
- Go to the **www.sam.dometic.com** page on the internet.
- Enter your login data.
- Select **Audit** from the menu.
- Click **DOWNLOAD**.



- Follow the program instructions.



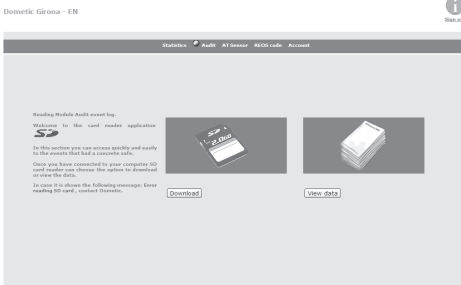
NOTE

Press “Execute”, “Next” and “Finish” successively. No software will be installed on your computer.

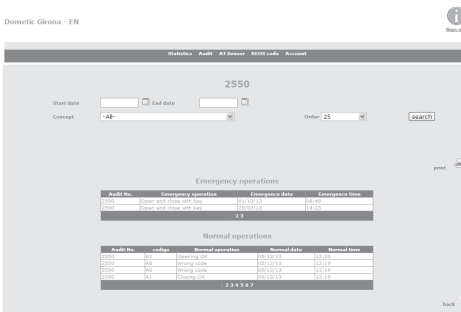
- ✓ The transfer of data on to the internet begins.



► Click **VIEW DATA**.



✓ The stored events are displayed.



✓ The file can be printed.



Audit Dometic

Audit No. 2241
 Date GMT 30/04/13
 Time GMT 13:21:05
 Safe Date 05/12/12
 Safe Time 17:22
 Company DOMETIC
 Location: GIRONA
 Room Number 123456
 Requested by DOMETIC
 N° product 958480666
 Serial No. 227007660
 Total Audit operations: 128
 Total print operations: 50

Last 5 emergency operations

Emergency date	Emergency time	Emergency operation
10/07/12	08:36	Master code opening
10/07/12	07:49	Open and close with key
06/07/12	10:49	Master code opening
06/07/12	10:48	Open and close with key
06/07/12	10:48	Open and close with key

Movements of the proSafe

Normal date	Normal time	Normal operation	Operation
05/12/12	17:22	Opening OK	Opening OK
05/12/12	17:22	Closing OK	Closing OK
05/12/12	17:22	Opening OK	Opening OK
05/12/12	17:22	Closing OK	Closing OK
05/12/12	17:21	Opening OK	Opening OK
05/12/12	17:21	Wrong code	Wrong code
05/12/12	17:21	Wrong code	Wrong code
05/12/12	17:21	Wrong code	Wrong code

9 Replacing the batteries

9.1 Check the state of the battery

It is possible to check the charging status of the battery.



- Press the **ENTER** button.
- Press the **8** button **twice**.
- Press the **ENTER** button.
- ✓ The display shows the charging status:

Level	Charging status
6,0 – 4,9	OK
4,8 – 4,5	Batteries should be replaced as soon as possible.
≤ 4,4	Batteries must be replaced.

9.2 Replacing the batteries

The batteries must be replaced after no later than one year. The batteries must also be replaced immediately if “**bat-lo**” is shown on the display.



NOTE

- Use four high-quality alkaline AA/LR6 batteries (1.5 V).
- Pay attention to the polarity.
- Always change all batteries at the same time.

- Loosen the screw for the cover (fig. **7** 1, page 4).
- Take off the cover.
- Remove the four used batteries from the battery compartment (fig. **7** 2, page 4).
- Insert four new AA batteries into the battery compartment.
- Replace the cover over the interior section and secure the cover with the screw.

10 Display messages

	Display	Sound
Press CLOSE	COdE	2 short beeps
Press ENTER		3 short beeps
Press0 – 9	0-9	1 short beep
Key in guest code	OPEn	
Error in locking mechanism	Error2	4 long beeps
Incorrect sequence	Error	1 long beep
System check	888888	
Wait when opening with master code	Delay	
Repeat master code	Repeat	
Low battery detected	bat-lo	2 long beeps: After changing: 2 short beeps
Error entering code	Error	1 long beep
5 x error entering code	Error5	3 long beeps
Programming error	Error	1 long beep
Enter date	Date	
Enter time	Hour	
Enter room number	Room	
Blocked owing to 20 events in 10 minutes	Errorb	3 long beeps
Faulty connection to SD card reader	ERSD01	1 long beep
SD card transfer in progress	CSD20	
End of SD card transfer	DSDXX	3 short beeps

11 Troubleshooting

If you are unable to rectify the fault, get in touch with a specialist workshop.

Display	Fault	Possible cause	Suggested remedy
bat-lo	The safe does not close.	The battery is low.	➤ Replace the batteries.
Error	An continuous audible signal sounds.	False code	➤ Enter the correct code.
		Time for entering code has elapsed.	➤ Enter the code within 8 seconds.
	The safe will not accept the master code.	Wrong master code	➤ Enter the correct master code.
Error2	The bolts do not extend completely.	The locking mechanism is not functioning correctly.	<ul style="list-style-type: none"> ➤ Make sure the bolts are not jammed in the cupboard. ➤ Check the connections on the circuit board. ➤ Replace the motor.
Error5	Short audible signals sound whenever any button is pressed.	The safe is disabled after the wrong code has been entered five times.	<ul style="list-style-type: none"> ➤ Wait for 6 minutes without pressing any buttons. The safe is no longer disabled following this 6 minute waiting period. ➤ Following this, enter the correct code. ➤ Open the door mechanically with the master key.
Errorb	A code cannot be entered.	The safe is disabled if it has been closed and opened again 20 times within 10 minutes.	<ul style="list-style-type: none"> ➤ Wait for 6 minutes without pressing any buttons. The safe is no longer disabled following this 6 minute waiting period. ➤ Following this, enter the correct code. ➤ Open the door mechanically with the master key.
–	The master key will not move will not turn.	Wrong key	➤ Check that the key number is the correct one.
		Wrong direction	➤ Turn the key 180° in a clockwise direction.

12 Maintaining and cleaning the safe

**NOTICE!**

Do not use sharp or hard objects or cleaning agents for cleaning as these may damage the product.

- Occasionally clean the product with a damp cloth.

13 Warranty

The statutory warranty period applies. If the product is defective, please contact the service partner in your country (addresses on the back on the instruction manual).

Our experts will be happy to help you and will discuss the warranty process with you in more detail.

14 Disposal

- Place the packaging material in the appropriate recycling waste bins wherever possible.



If you wish to finally dispose of the product, ask your local recycling centre or specialist dealer for details about how to do this in accordance with the applicable disposal regulations.

**Protect the environment!**

Do not dispose of any batteries with general household waste. Return defective or used batteries to your retailer or dispose of them at collection points.

15 Technical data

	Dometic proSafe		
	MD281	MD351	MD361
Capacity:	8.2 l	10.5 l	24 l
Dimensions H x W x D	165 x 280 x 235 mm	400 x 350 x 127 mm	190 x 360 x 410 mm
Gross weight:	6.4 kg	12.4 kg	10.8 kg
Net weight:	6,1 kg	11.7 kg	10.2 kg

	Dometic proSafe		
	MD381	MD406	MD431
Capacity:	28 l	22.5 l	28.7 l
Dimensions H x W x D	190 x 380 x 450 mm	190 x 405 x 350 mm	190 x 430 x 410 mm
Gross weight:	11.9 kg	10.9 kg	12.4 kg
Net weight:	11. kg	10.4 kg	11.8 kg

	Dometic proSafe MD491
Capacity:	29 l
Dimensions H x W x D	190 x 490 x 370 mm
Gross weight:	13 kg
Net weight:	12.4 kg