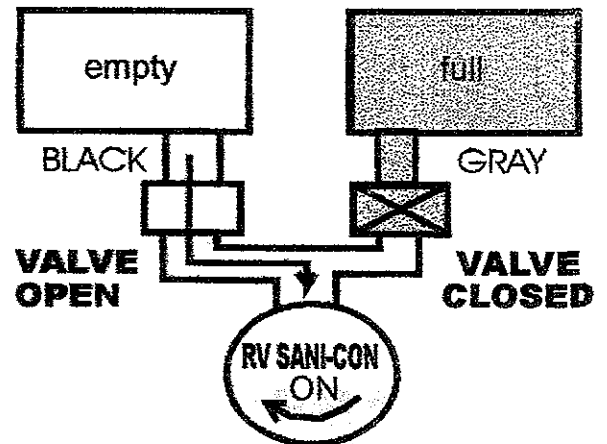


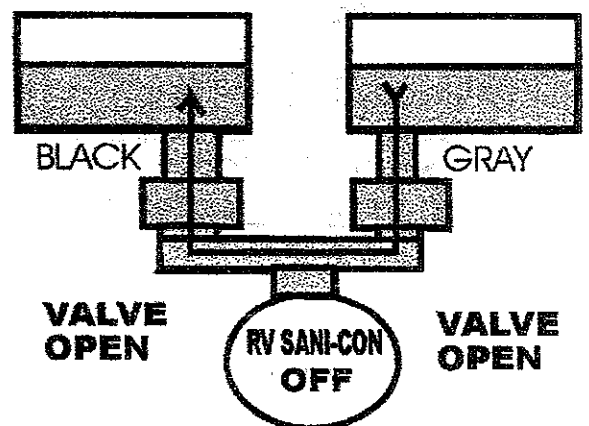
BLACK TANK SEMINAR BY RV SANI-CON

RINSE THE BLACK TANK WITH THE GRAY TANK

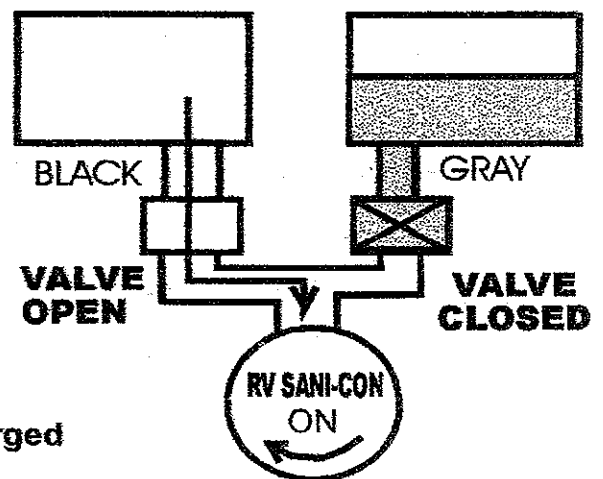
1. Open the black tank valve, turn on the RV SANI-CON and empty the black tank. When the tank is empty, turn the pump off, leave the black valve open.....



2. With the black valve still open, open the gray tank valve and allow the gray tank to equalize the black tank volume. If your gray tank is full, it will require 1 minute or more to transfer the gray water to the black tank. One half of the gray tank volume will now be in the black tank.



3. When the equalization occurs, close the gray valve, and switch the RV Sani-Con back on. This will cause the black tank to be emptied the second time and rinsed with the gray water, all internally, without hooking up any flushing hose. The soap and detergent will decrease the walls and bottom of the black tank more efficiently than clear water alone.

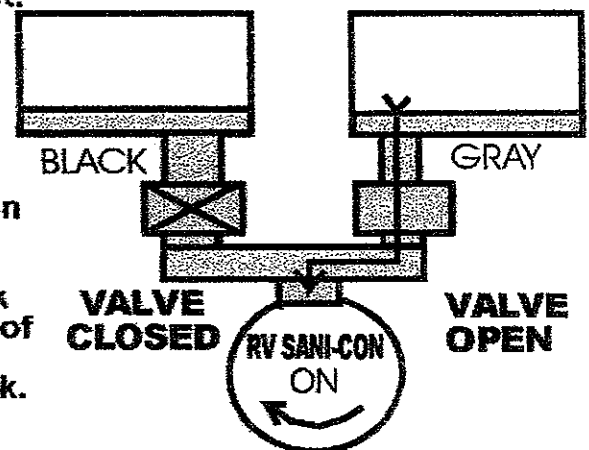


4. Repeat Step 3, the second time.

5. Repeat Step 3, the third time, but do not empty the black tank, instead, close the black valve and empty the gray tank with the RV Sani-Con. Now, you have rinsed the black tank twice, and pre-charged the black tank with soapy water ready to be used without having to put water from inside in the toilet.

Add your chemicals and the process is complete.

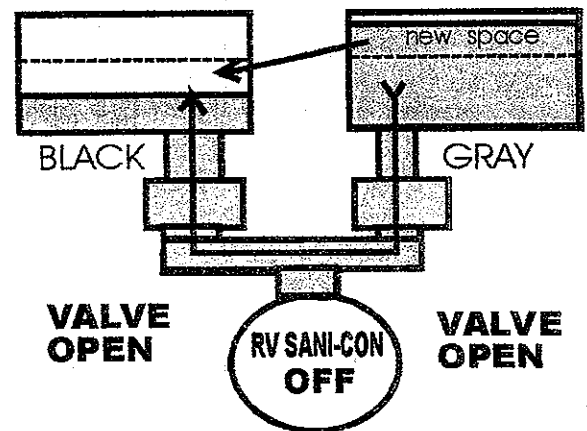
It is much easier to use the gray water instead of hooking up and unhooking clear water hoses, in addition, clear water will not decrease the walls nearly as well as soapy, detergent laden water. You can also add liquid detergent to the black tank prior to travel to further improve the maintenance of the black tank. 1/4 cup detergent will make a difference in the process of cleaning the black tank.



DRY CAMPING SEMINAR BY RV SANI-CON

TRANSFER A FILLED GRAY TANK INTO A EMPTY BLACK TANK TO USE SPACE IN THE BLACK TANK

When dry camping, the gray tank usually fills more quickly than the black tank. With the RV Sani-Con installed, you can transfer or equalize the volume in both tanks to create more space in the gray tank. This will allow more gray water to be produced and stored before you have to empty the tanks when filled to capacity. As long as there is more gray water than black water, you can transfer the gray to the black.



1. If you know the level of the volume in the black tank is less than the level of the volume in the gray tank, open the gray tank valve and then open the black tank valve. This will allow the gray tank and the black tank to equalize the volume between the tanks. This transfer will require a minute or more to occur. .