



Leisure Travel
Motor Homes
Owner's Manual

A guide to
operating the
features of your
luxurious motor home

Contents

As the owner of a Leisure Travel Motor Home:	2
Greetings	3
Camping Preparation	3
Getting In & Out	3
Side entrance - Double Doors	3
Captain's seats from within coach	3
Adjusting Captain's Seats	3
Driver's seat	4
Passenger seat	4
Converting captain's seats into beds	4
Under Seat Storage	5
The rear sofa (optional on all models)	6
To operate sofa manually	6
Front Dinette Tables	6
Pedestals	6
Tables	6
Setting Up	6
Setting up the table & bed.	7
Propane Tank	7
Precautions - LP Gas	7
Appliances	8
Propane 2-burner stove	8
No range hood vent	8
Fantastic Fan	8
Cleaning air vent	8
Furnace	8
Air conditioner	9
Refrigerator	9
Refrigerator compartment	10
Electrical Appliances	10
TV / VCP connections.	10
Coffee maker	10
Microwave oven.	10
Water & Sewer	11
Hot water heater tank filling	11
Water pump	11
Fresh water tank filling	11
Water filter	11
Toilet	12
Space saver	12
Holding tanks	12
The Dumping your waste	12
Compact functional shower.	13
Dish, cup and cutlery holder	13
Exterior Features	13
Exterior shower	13
Rear right storage compartment	14
Battery compartment.	14
Rear left storage compartment	14
Generator	14

Utility centre hook-up compartment	14
Golf Bag Storage	15
Propane bottle compartment	15
Miscellaneous exterior features	15
Protection & Handling	15
Handling & safety package	15
Optional safety features	15
Electrical System	16
Front Battery	16
Battery isolator	16
Lighting	16
Interior lights defeat feature	16
Converter maintenance	16
Automatic power transfer switch	17
Inverter (optional)	17
Do not use	17
How To Use Inverter	17
Fibreglass Roof, Sidewalls, Bumpers and Running Boards	18
Pin striping	18
Winterizing The Water System	18
Using Your Motor Home In Below Zero Temperatures	19
Winter Driving	19
About Your Dodge Van	19
Monitor Panel.....	19
Systems monitor	19
Optional Equipment	20
Rear air conditioning	20
Screen package	20
Flip-up sink	20
Microwave oven	20
Outdoor cooking package.....	20
Sound package	21
Awning.....	21
Add-A-Room	21
Standard Equipment.....	21
Smoke detector	21
Fire Extinguisher	21
Winter Storage	21
Inside your motor home.....	21
Outside your motor home	21
Spring start up.....	21
Warranty	22
Conditions	22
Owner Responsibility.....	22
Warning Labels	23

Leisure Travel Vans Ltd.

P.O. Box 189
Gretna, MB
Canada ROG 0V0

Box 158
Neché, North Dakota
USA 58265

Phone: 204-327-5871 Fax: 204-327-6671

Congratulations!

You have just purchased the BEST mini motor home in its class.

Welcome to the World of Leisure Travel

When you consider quality and comfort — we at Leisure Travel Motor Homes don't compromise! Over 20 years we've made a genuine effort to consult with our Motor Home customers. Thanks in large part to their input, we've made alterations, added features, included suggestions... and now we assure you that this is truly the leisure travel vehicle you want and deserve.

As the owner of a Leisure Travel Motor Home:

- We encourage you to make suggestions on how we can improve our product, no matter how small or large your ideas may be.
- If you have any problem, please contact your nearest **authorized dealer**. If it involves the Chrysler chassis, please contact any **Chrysler dealer**. Tell us about any problem or shortcoming, or the overall workmanship. Because we built it, we have the expertise to advise you on how problems can be fixed.
- You can call 204-327-5871 or Fax us at 204-327-6671
- Ask for Customer Service.

Founder and President,



Reg Harder

Greetings

Hi. I'm Reg Harder, president of Leisure Travel Vans Ltd. I congratulate you for buying the best motor home in its class. This manual shows you how to use all the features and components. If you study this manual and the video that accompanies it, you will enjoy the camping life-style at its best.

Our goal and mission at Leisure Travel Vans is for you to own the best product that money can buy. That goal makes you and us a winning team.

We have spent nearly 20 years designing, researching and building floor plans and components to give you the best Class B Motor Home built today.

This manual will help you understand all the features and components of your motor home. How to use it, fix it and how to make your life even more enjoyable.

We are proud of our product and we want you to be proud of it too. If you like it, you'll enjoy using it and you will become our best sales people. You must be totally comfortable and happy with your Dream Motor Home.

Camping Preparation

Before you even begin to think of taking an extended camping trip, get to know your motor home, its components, features, appliances and limitations. Take some time to read and study this manual and all its components.

The instructional video shows you how to use, set up, store and arrange all the features that make your motor home so enjoyable to use.

Preparation is the key to an enjoyable and successful camping trip. Your motor home really gives you the freedom to do what you want, where you want and when.

According to Reg: "God has given us a wonderful world. Take your motor home and travel coast-to-coast, border-to-border, in total comfort, with freedom, luxury and economy."

There isn't another RV anywhere of any description that can confidently report a 98% customer

satisfaction rating. The time you spend getting to know your motor home will certainly go a long way in making you totally satisfied with your purchase.

Getting In & Out

Side entrance - Double Doors

Place your right foot up against the beam (which is partially cut out to make it easier), lean forward, grab the handle and lift yourself up into the coach. When you're ready to leave the coach by the same entrance, make sure you're facing the inside of the coach, place your right foot on same location, and back out and down.

Captain's seats from within coach

Once inside the coach, getting into the driver's seat can be done only one way, without causality.

Our engineers designed the roof with exactly enough room between the TV and each side of the coach. With the seat moved back, move towards this opening, lower your head and slide into seat. Then position seat for your own comfort.

When ready to get back out, move seat all the way back, keep head down and back out. Doing it this way will keep you bruise free. The same thing holds true for the passenger side.

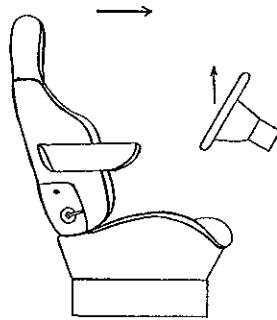
Adjusting Captain's Seats

The front captain's seats are designed to slide back and forth, swivel in any direction and to recline. Learning how to enter, swivel and setup for any occasion makes for a happy start.

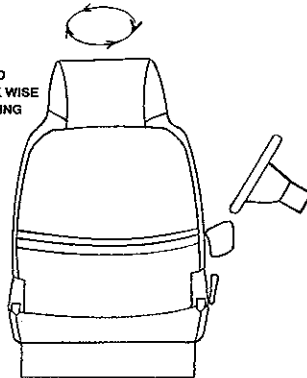
Driver's seat

Slide the seat all the way back. Tilt back rest forward, release the swivel lever and swing seat around toward the door, in a counter-clockwise direction.

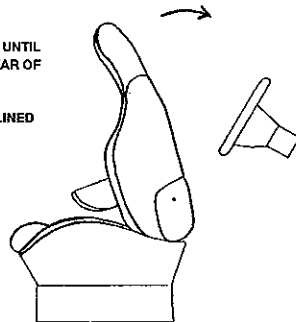
1. TILT STEERING WHEEL UP
2. SLIDE SEAT FORWARD APPROX. 1/2 WAY USING SLIDER LEVER
3. SEAT BELT RECEPTACLE ON THE RIGHT PUSHED ALL THE WAY DOWN
4. TILT SEAT FORWARD USING LUMBAR CONTROL LEVER ON THE RIGHT JUST BELOW THE ARM REST. ARM REST MUST BE IN THE DOWN POSITION



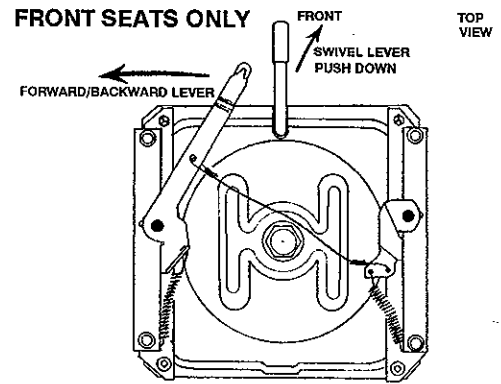
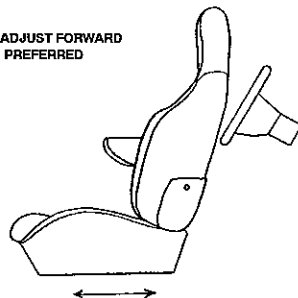
5. PUSH SWIVEL LEVER DOWN AND ROTATE SEAT COUNTER CLOCK WISE TO THE LEFT, EVENTUALLY FACING THE REAR OF THE COACH



6. CONTINUE TO ROTATE CHAIR UNTIL THE CHAIR IS FACING THE REAR OF THE COACH
7. TILT CHAIR TO DESIRED RECLINED POSITION



8. USE SLIDER LEVER TO ADJUST FORWARD OR BACKWARD GIVING PREFERRED LEG ROOM



Passenger seat

On the passenger side, slide the seat all the way back. Make sure your seat belts are out of the way. Push the swivel lever and swing the seat in any direction.

When in a visiting position, the slide lever is on the left side of seat and seat may be adjusted forward or backward to give the desired leg room.

When ready to drive the vehicle, swivel seat into the forward position and make sure the seat belts are also in the correct position. Place the shoulder belt behind the arm rest with arm rest in either up or down position. The front part of the belt with lock should rest over the front of the seat. When seated take seat belt over your shoulder and lock into place.

If you require easy exit, the swivel mechanism can be unlocked, thus providing easier passage.

IMPORTANT: DO NOT SWIVEL SEATS WHEN VEHICLE IS IN MOTION.

Converting captain's seats into beds

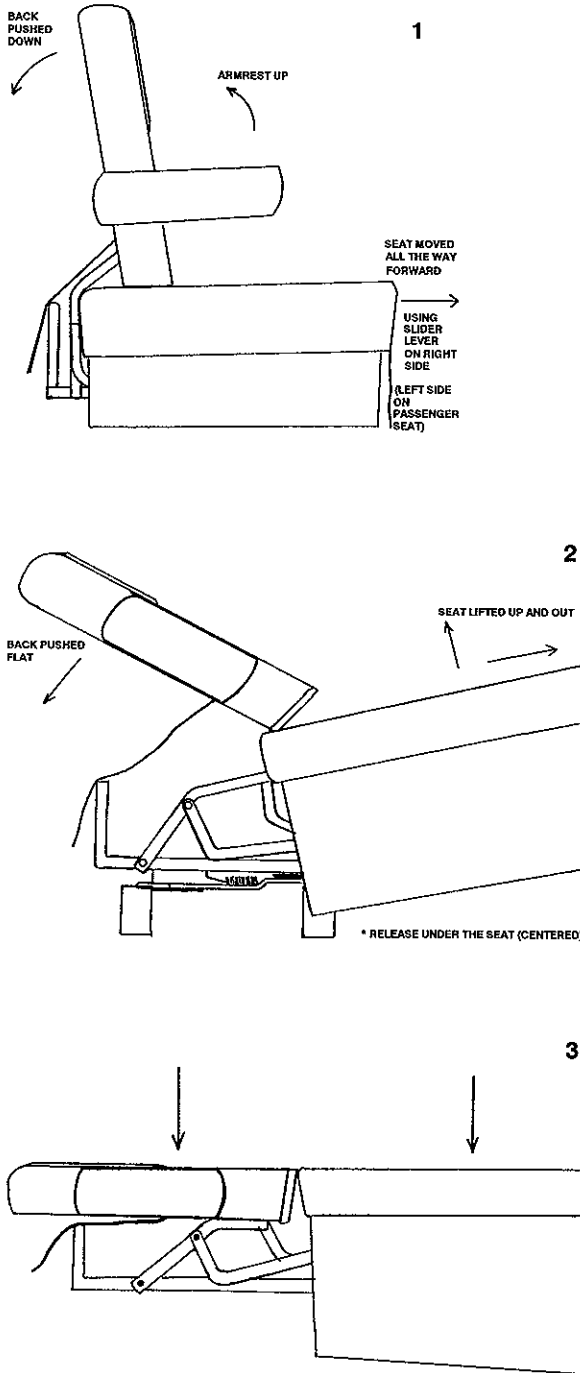
Front Seats

While sitting in the driver's seat, pull front curtains from both sides and Velcro together in the middle. This gives you your basic privacy. Next, flip the steering wheel up and move seat forward.

With the driver's seat in normal position, move the seat back and swivel it counter clockwise half a turn and flip up the armrest.

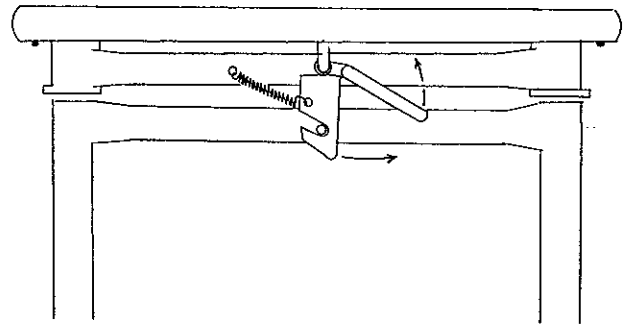
Rear Passenger Seats

Slide the left rear passenger seat forward. Grab the lock at the front of the seat, fold the back down and here is a bed. Do the same for the rear passenger seat on the right and you have two beds.



FRONT VIEW OF THE REAR SEAT/ LATCH
ALLOWS SEAT TO BE MADE INTO A BED
3 & 4 SLEEPER ONLY REAR SEATS

4

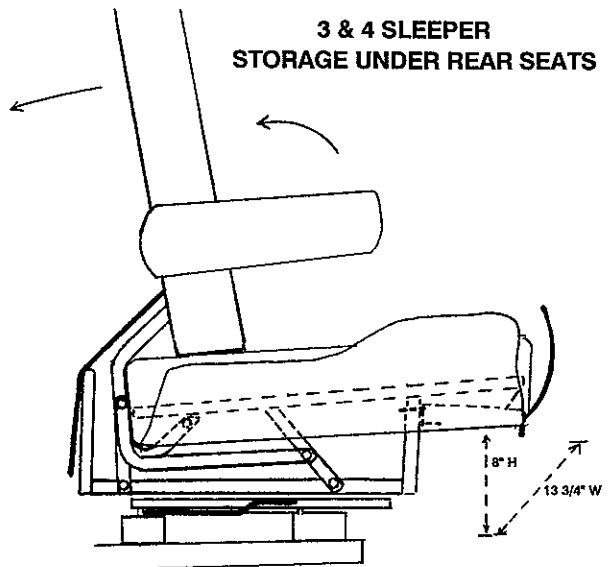


Uni-Lounge

The seat on the right doubles as a uni-lounge. Recline the front seat and you can relax, read a book, or open the closet door and watch TV through the mirror.

Under Seat Storage

Your cupboard and on-board storage space is less with a four-seat model. We suggest purchasing plastic containers that fit underneath the rear chairs. Store your regular camping items in these containers at all times — items for inside use in one container and items for use outside in a separate container.



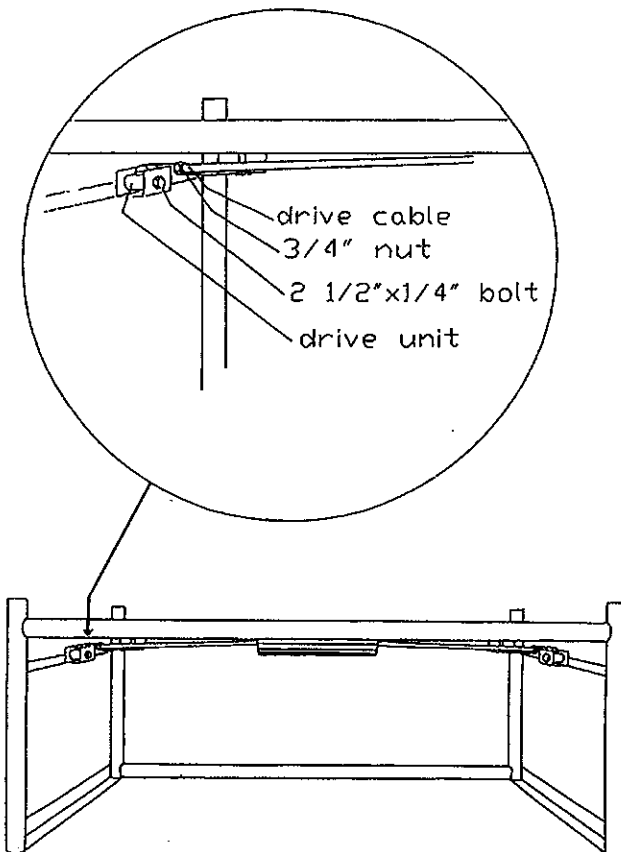
The rear sofa (optional on all models)

With the rear sofa, you have a whole new way of using your motor home. You have an extra three-passenger seat with seat belts. This rear sofa adjusts electrically to slope at whatever angle you desire. It is also a very comfortable bed with a spring mattress.

The upholstery has a foam backing. This reduces wear and keeps the velour looking new for a long time.

To operate sofa manually

While standing outside at the rear of the van, look under the seat section of the sofa where the two silver drive units are located. Holding these drive units in place are two 2 1/2" x 1/4" bolts. To move the sofa manually you must remove these bolts. If you are going to use the sofa as a seat while driving, you must secure the sofa in the seat position by re-installing the bolts.



If the motor failed when the sofa was in the bed position, you must reposition the drive units. To do this, disconnect the drive cables by loosening the 3/4" nuts holding the cables in place. With the nuts loosened, the cables can be extracted. Turn the drive

unit counter clockwise until you reach the end. After this has been done, reinstall the bolts (you may need to reverse the drive units so the holes align).

Front Dinette Tables

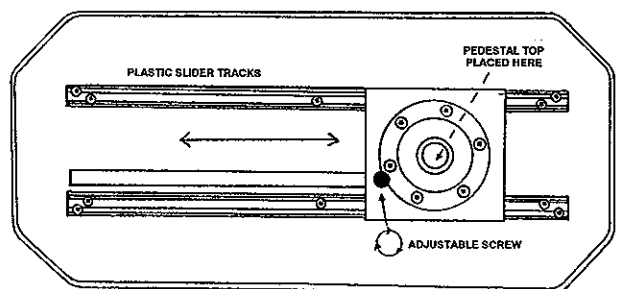
Pedestals

The pedestals are held in place with a tie-back strap as follows: a) 2 seater "A" — in the toilet closet on the right of the toilet. b) 2 seater "B" — in the closet on the left wall. c) 3 seater — in the clothes closet on the passenger's side. d) 4 seater — in the driver's side closet on the left side wall. e) 4 sleeper with sofa — in the closet on the left side wall.

Tables

Tables are held in place with a snap strap as follows: a) 2 seater "A": large dining table — behind the driver's seat. Front octagonal shaped table — inside the bathroom on the right wall. b) 2 seater "B": dining table — inside rear closet. Front octagonal table — behind the driver's seat. c) 4 seater: octagonal dining table — on the left side wall inside the closet. Alternate lounge table is tucked between the driver's side lounge chair and the exterior wall. d) 3 seater: octagonal dining table — on the lip inside the bathroom. Alternate lounge table is tucked between the lounge chair and the exterior wall.

ALL DINETTE TABLES — VARIOUS STYLES & SIZES



Setting Up

Setting up is easy. Take pedestal and place in base on floor, pushing down and twisting it into place. Take the dinette table top from its storage and place on top of pedestal. The table top base is adjustable and can be tightened to stay in place.

When taking down, remove table top from pedestal and place in storage. Twist pedestal to remove it. Place pedestal in storage also.

CAUTION

Use front lounge table only when parked. Otherwise, should the vehicle come to a sudden stop, a person sitting in the chair behind the table could hit his head on the table, and injury could occur, even when the seatbelt is used.

IT'S ILLEGAL TO SIT SIDEWAYS WHEN COACH IS IN MOTION.

Setting up the table & bed.

The table pedestals are inside the clothes closet. The table top is smaller than the width of the bed. Take the extra width divider board from its permanent storage underneath the bench. Slide it into place and take the back rest cushions from the back of the bench and lay them down in the middle to make a 50" bed. When the back rest cushions are laid down in the middle, it's still easy to get into the bench storage.

The cushions have a rubber foam to give the utmost comfort. Open the cushion zipper to see two different colors of foam. The peach color is the softer material for a softer bed and the blue material is a firmer foam for a firm bed. Pick the comfort level you want and turn that color foam right side up.

Normally the bed will be left made up. A divider board underneath the bed allows for easy conversion to the dinette. When setting up the dinette, lift the front of table top up with the rear resting on the back ledge. Take the pedestal and lock it in place both bottom and top. Slide the pedestal base underneath the table and level out the table.

Propane Tank

- The 28-LB. propane tank is mounted under the chassis, under the driver's side door and is held in place by four 3/8" locking nuts. The tank can easily be removed for replacement or service.
- To fill the propane tank, go to a propane depot and let them fill it.

- It is highly recommended that the main valve of the tank be closed when vehicle is in motion.
- The monitor panel located of the front of the kitchen cabinet will indicate the amount of propane left in the tank. There is also a guage on the tank that can be used as a backup.
- A properly filled LP gas tank will contain approximately 80% of its volume as liquid LP gas. Overfilling of the LP gas tank can result in uncontrolled gas flow which can cause fire or explosion.

Precautions - LP Gas

IF YOU SMELL GAS

- extinguish any open flames, pilot lights and smoking materials immediately.
- do not touch any electrical switches.
- shut off the gas supply at the tank valve.
- open doors and windows to provide maximum ventilation.
- leave the area until the odor clears.
- have the system checked and the leak corrected before use.

WARNING

LP gas tanks shall not be placed or stored inside your unit. LP gas tanks are equipped with safety devices which relieve excessive pressure by discharging gas to the atmosphere.

WARNING

To reduce the danger of fire or explosion, do not store LP gas tanks, gasoline or other flammable liquids inside your unit.

WARNING

Do not fill LP gas tank to more than 80% of capacity.

WARNING

The tank valve must be closed and all appliance pilot lights turned OFF before LP gas filling. Only qualified personnel should fill your LP gas tank.

IMPORTANT

It is important to get a QUALIFIED person to fill your propane tank. Propane tank valve should be in off position. The tank should be filled to 80% of capacity. There is an overfill valve on the tank to prevent overfilling.

Appliances**Propane 2-burner stove**

The 2-burner Wedgewood stove is fuelled by propane from the main tank. It's very easy to light, but always use a striker.

IMPORTANT

- Make sure stove is shut off when not in use.
- We recommend the use of a striker instead of matches to light stove to avoid possible burns.
- When cooking, make certain the Fantastic Fan is taking odors out of the coach.
- Propane stove warranty and service information is included in your manual package.

CAUTION

Never use the stove as a Space Heater. That's why we provide a furnace. Stoves can malfunction when used as space heaters for the following reason. Any moisture in the propane tank (not too likely, but it does occur) when pressurized into a smaller regulator condenses and turns to ice. The ice buildup closes the regulator and cuts off the propane flow thus putting the stove flame out. Soon the ice melts and the propane flow begins. The poisonous gas is released into the coach. That's how fatalities occur. Furnaces don't have this problem because they have a safety device which stops the flow of propane if the pilot light is not lit.

No range hood vent

Most RV units have a range hood vent directly above the range. We found an easier way. We placed a fire-retarding material under the cupboard base. It is C.S.A. and R.V.I.A. approved for total safety. We use a Fantastic Fan to draw out odors and vapors.

No range hood vent — no lost storage space.

Fantastic Fan

This Fantastic Fan provides for proper ventilation, comfortable temperature control and just good all-around desirable airflow. It is also used with the shower and toilet. Open a window to allow for maximum air flow. Windows farthest away from the fan provide the best air exchange. Windows should be open sufficiently to allow proper circulation of air.

Cleaning air vent

Turn fan motor off. Remove the 8 painted flathead screws around the perimeter of the screen insert. Clean screen with soap and water solution and re-install. Motor is sealed and requires no lubrication.

Furnace

- The Forced Air Suburban NT-12 Furnace operates on propane only. It is not electric. However, the furnace fan operates on 12 volt current from the rear coach battery.
- 12,000 BTU thermostatically controlled furnace.
- It's located on the passenger's side at the rear corner of your motor home.
- Please refer to the manufacturer owner's manual for complete operating and warranty information.
- Do not obstruct furnace or furnace front grill. Doing so will interfere with desired air flow.

OPERATING FURNACE

- To use, turn on valve at propane tank. Make sure you have an adequate supply of propane.
- Thermostat is located by the rear door post on

the passenger's side in your bed area allowing for ultimate comfort when sleeping.

- Locate the knob at bottom of thermostat. Turn to ON position and adjust to desired temperature.

WARNING

Portable fuel burning equipment, including wood and charcoal grills and stoves shall not be used inside your unit. Use of this equipment inside your motor home may cause fire or asphyxiation.

PREVENTATIVE MAINTENANCE

- Your furnace should be inspected by a qualified service agency yearly before turning the furnace on.
- Inspect chamber and venting to insure that these components are physically sound, without holes or excessive corrosion. You as the owner/user should inspect the furnace monthly during the heating season for the presence of soot in the vent. If soot is present immediately shut down the furnace and contact your dealer or a qualified service person.

VERY IMPORTANT

- NEVER run your furnace if your motor home is parked in an enclosed garage.
- Remember to turn furnace to OFF position when not in use.

CAUTION

When the rear sofa is in the bed position, the front skirt must be lifted up for maximum airflow from the furnace.

Air conditioner

Your optional 13,500 BTU air conditioner is mounted on the roof at the rear of the coach. The air conditioner will *NOT* run on the inverter option and the power supply of rear coach batteries.

Refrigerator

The Dometic refrigerator is a 3 cu. ft. three-way unit:

- 3-way power — propane, 110 volts, 12 volts.
- Controls are located on the front and bottom of fridge.
- Lighting instructions are provided in the manufacturer owner's manual.
- Use on 12 volts when operating while vehicle in motion.
- If planning to stop for more than an two hours, turn power to propane or your battery will drain down quickly.
- Turn to 110 volts when plugged to shore power.
- All instructions can be found on the refrigerator door.
- A manufacturer owner's manual is provided.

NOTES:

- 1) A refrigerator compartment fan has been added for cooling efficiency. The switch is located on the monitor panel. Please turn switch off when the fridge is not being used. If left on during a hot spell, the fan will eventually draw down the rear coach batteries and disable your 12 volt system.
- 2) Avoid spraying water through the refrigerator vents while washing your RV.
- 3) After propane tank replacement or after a long shut off period, the propane lines are likely to be filled with air. If this is the case the lighting procedure must be repeated until the air is pushed out of the line and the propane gas has reached the burner.
- 4) Flame blow out: If trouble is encountered with the flame blowing out under windy conditions, try to prevent the wind from blowing against the wall where the vents are located. As a temporary measure setting the thermostat to "max" will also help. Remember that foodstuffs will freeze if left at this letting for an extended period of time.

CAUTION

Make sure the refrigerator is never left on 12 volt power for extended periods of time after the vehicle engine has been shut off. The refrigerator draws about 10 amps of 12 volt DC power and can drain a battery very quickly. When travelling, it's okay to stop at a restaurant for an hour or so, leaving it on battery power. For anything more than 2 hours switch to propane.

IMPORTANT

The day before leaving on a trip, plug into house power or run on propane. It takes at least 2 hours to start cooling. To reach full cooling requires overnight.

- Always park your Motor Home on level ground. If this isn't possible, turn refrigerator OFF to prevent damage.
- On a hot day, park with the refrigerator vent in the shade. If that is not possible, then remove the bottom refrigerator vent cover to allow for maximum air movement for cooling efficiency.

Refrigerator compartment

Your refrigerator is installed inside a fibreglass tub. There's a hole in the bottom of the compartment which acts as a drain and an air vent should there be a propane leak. It also acts as a baffle to circulate cool air. This unique arrangement protects against any water coming into your motor home interior.

Electrical Appliances**TV / VCP connections.**

- All TV / VCP's are 12 volts.
- Power is taken from the rear coach battery.

On/Off switch underneath TV. While there's only a slight drain on your battery when the TV is switched off, a separate switch has been added to turn it off completely. It can also act as a safeguard when someone in the coach wants to play with the remote.

Cable hook-up. (Many camp grounds have cable

hook-ups) There is a switch inside the right upper compartment in the front of the coach. Set the switch to the left for TV/VCP. Set the switch to the right for cable reception. The cable connection is in the back of the coach with the shore cord set located in the utility centre.

Antenna. Roof mounted boomerang with built in booster. TV reception will be limited depending on the strength of signal and the distance from the tower.

IMPORTANT

Keep the TV volume of the set itself set at about 1/3 way up. This allows the speakers to remain distortion free.

Coffee maker

- 110 volt only.

The Black & Decker under-the-counter model coffee maker is an option.

Water is poured into the water tray, coffee is added to the right tray inside the filter, and the coffee maker is then turned on. Within minutes you have the sweet aroma of freshly-brewed coffee.

- You can prepare it before going to bed, set the timer and wake up to that wonderful aroma.
- If your motor home has an INVERTER or generator, you can enjoy coffee whenever you want. The INVERTER converts 12 volt to 110 volt.
- We advise you not to use the coffee maker while driving.

Microwave oven.

- 110 volt only.

The 0.6 cubic foot microwave comes with a turntable. If your motor home comes equipped with an INVERTER or generator, use the microwave anytime.

Water & Sewer

Standard equipment includes:

- A 28 gal. fresh water tank (106 ℓ).
- A 19.89 gal. gray water tank (75 ℓ).
- Fresh water toilet 11 gal. (41.69 ℓ) holding tank.

The Fresh Water tank on all 1995 models and newer, are insulated to keep the water from warming up while driving in hot weather.

- Demand pressure system.
- Water filter.
- Hot water heater

The Hot Water Heater capacity is (6 gal.) 27.2 ℓ with auto light.

The hot water heater switch is located on the monitoring panel. Flick the switch and a red light comes on. Once the heater is ignited, the light turns off and you know it's working. If it doesn't ignite, check the reset button which becomes accessible when you take off the grill of the water heater.

Hot water heater tank filling

When you are hooked up to city water the hot water heater tank will fill only if the hot water tap is opened. This allows air pockets to be forced out of the water heater.

WARNING

Make sure the water heater is filled with water before power is turned on. Even temporary operation of heater without water in it will burn out the element.

Water pump

The water pump is a demand water pressure system. It switches off automatically. If the battery power is too low, the pump will not build up enough pressure to turn off.

If your pump continues to run you may have a leak in the system or the taps may not be fully closed.

When hooked up directly to city water supply, the pump isn't needed.

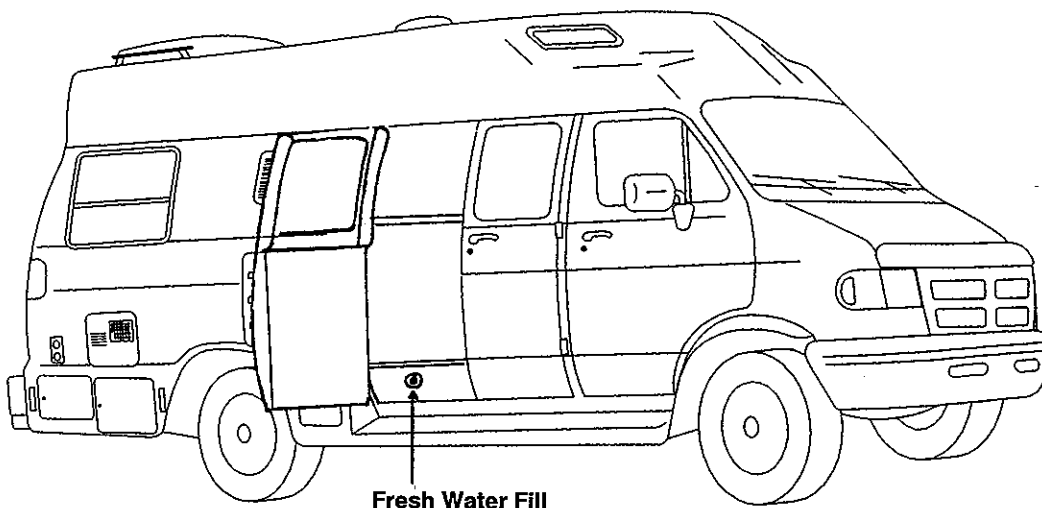
A regulator has been added to control water pressure while hooked up to city water supply.

Fresh water tank filling

The fill spout is located inside the double doors of the coach. Open a kitchen tap slightly to release air pressure. Use the monitor reading or wait until water flows from the tap. The fresh water tank has an overflow (breather) tube. Some water may end up on the ground. This is from overfilling the tank and doesn't mean your tank has a leak.

Water filter

Your water filter removes any unpleasant odors or



tastes from the water supply. It filters about 500 to 800 gallons of fresh water, which is more than adequate for a long camping trip. The filter is attached to the cold water line only.

- Remember not to run RV antifreeze through your filter.

Toilet

Space saver

Space isn't wasted in your motor home. You move back onto the toilet instead of using a room-sized cabinet to house it. This leaves more room for general living space.

New 2 seater "B" floor plan — the bathroom electronically slides out providing ample room.

Holding tanks

The fresh water toilet is positioned directly above its own holding tank, for easy system flushing. This holding tank is deliberately placed inside the motor home for colder climate use, without freeze-up hassles.

The waste, upon flushing, drops straight into the holding tank. Only one flex-coil hose is needed to drain the holding tank. No room for waste buildup. No protruding pipe to break from flying stones or frost. And no messy dumping.

If you intend to use the toilet in colder weather, add a little RV antifreeze to the tank through the toilet. Then you're ready for that skiing trip or snowmobile safari. Keep the furnace going and dump the holding tank when your done.

For colder weather use, it's advisable to bring a container of fresh water because the fresh water tank is located underneath the motor home. It will freeze up.

The Dumping your waste

A 20 foot waste hose, stored in a protective tube, is attached to the valves. It's easily accessible for one hand dumping (no stooping or grovelling under your motor home). The dump valves are protected by a metal shield to prevent road damage.

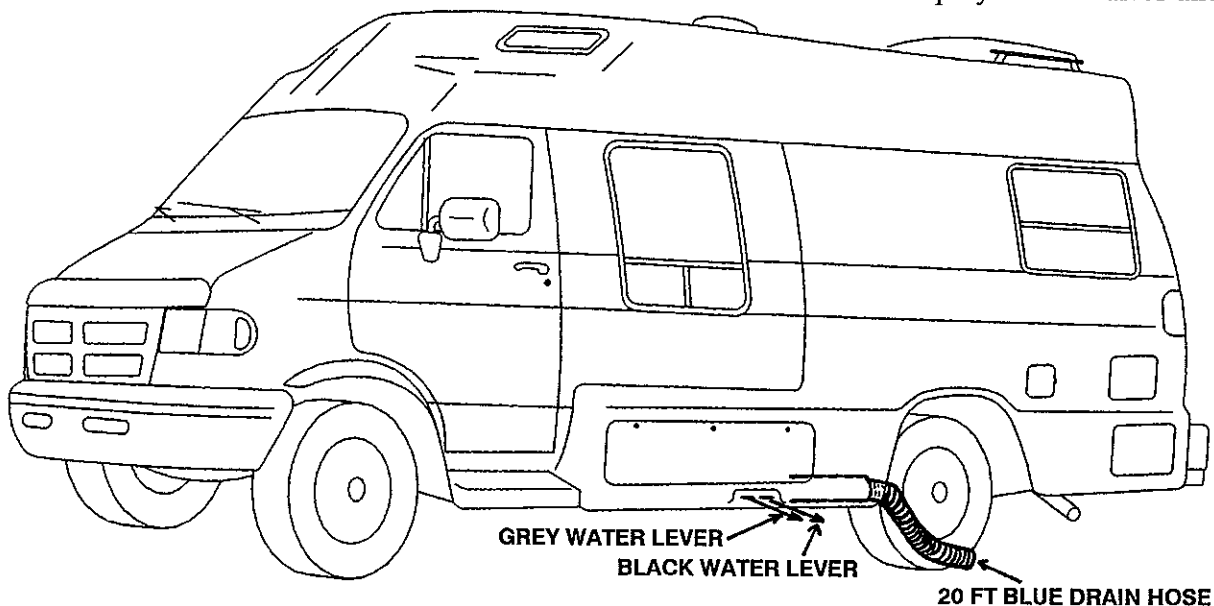
Open the sewer hose carrier cap located near rear driver's side tire. Pull out the sewer hose and fit into flushing station hole.

First, pull toilet valve and allow to empty. Next, pull the gray water valve and allow it to empty. This will clear your sewer hose of any remains from the toilet tank.

If you desire, flush toilet a number of times to rinse clean. When finished, close both valves and lift up hose to force all water out. Slide hose back into the holding tube. Place cap onto tube and tighten.

The entire operation can be completed without getting your hands wet.

It is important to maintain your dump valves. Spray WD-40 or silicone spray on the valves and gently



move in and out. Rust and road debris can prevent proper operation. Regular maintenance will insure that the valves remain problem free.

Compact functional shower.

The shower is compact and functional. Lift up the carpet-covered shower pad in front of the toilet and closet doors. You're now standing on the shower base.

Open the closet doors and extend the privacy panels. Next, take your shower curtain, draw it around you and velcro into place. A removable water stop gate keeps the shower curtain in place and prevents water from exiting the shower pan. This stop should be used only when the shower is in use.

Take the flexible shower head and hook it into a curtain ring, adjust water temperature and have your shower. When done showering, pull curtain back, twist and roll up and put in travelling place.

After a shower, the shower tray will be wet. The shower pad sits down on its four corners allowing sufficient air movement for the shower tray to dry. It won't need special wiping.

- Remember to turn on your Fantastic Fan to draw out humid air.
- We include a stopper for the shower drain

should you experience difficulty with grey water back up. To install, remove strainer from drain and insert when shower is not in use.

Dish, cup and cutlery holder

This is included in the 4-seater only.

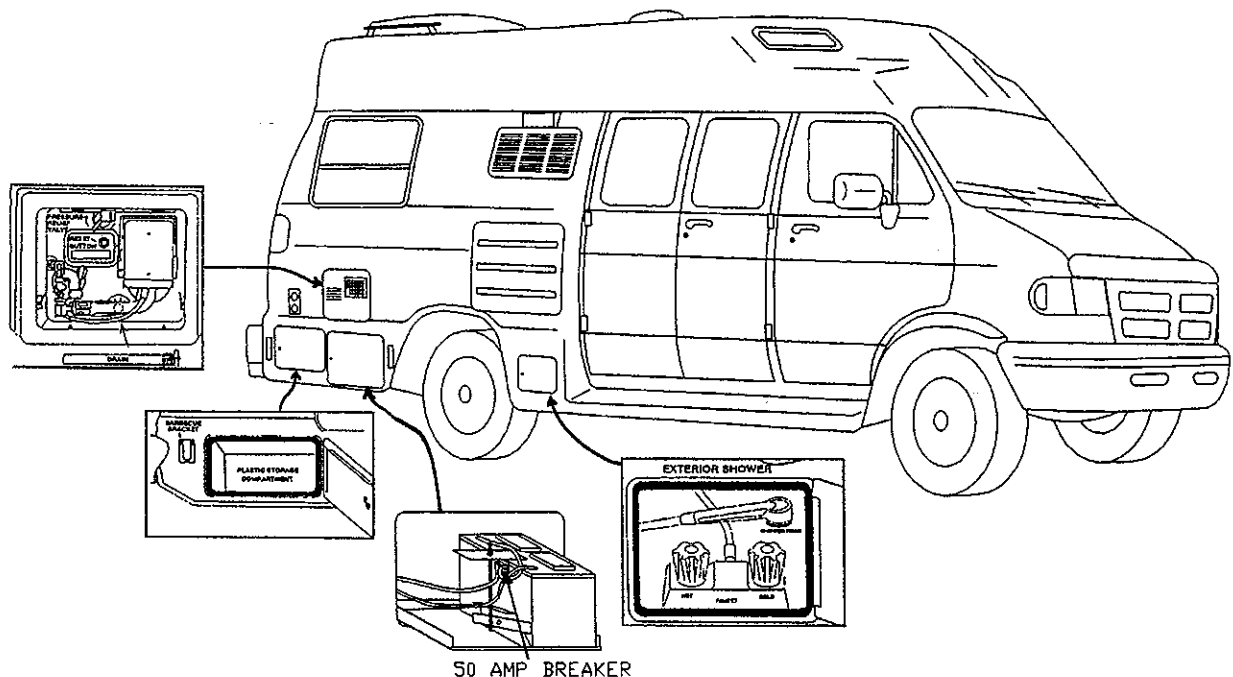
- Looking at the holder straight on, starting at the right, cutlery fits into slot # 1.
- cups with handles go in slot # 2.
- Paper towel slot is # 3.
- Dishes go in slot # 4.

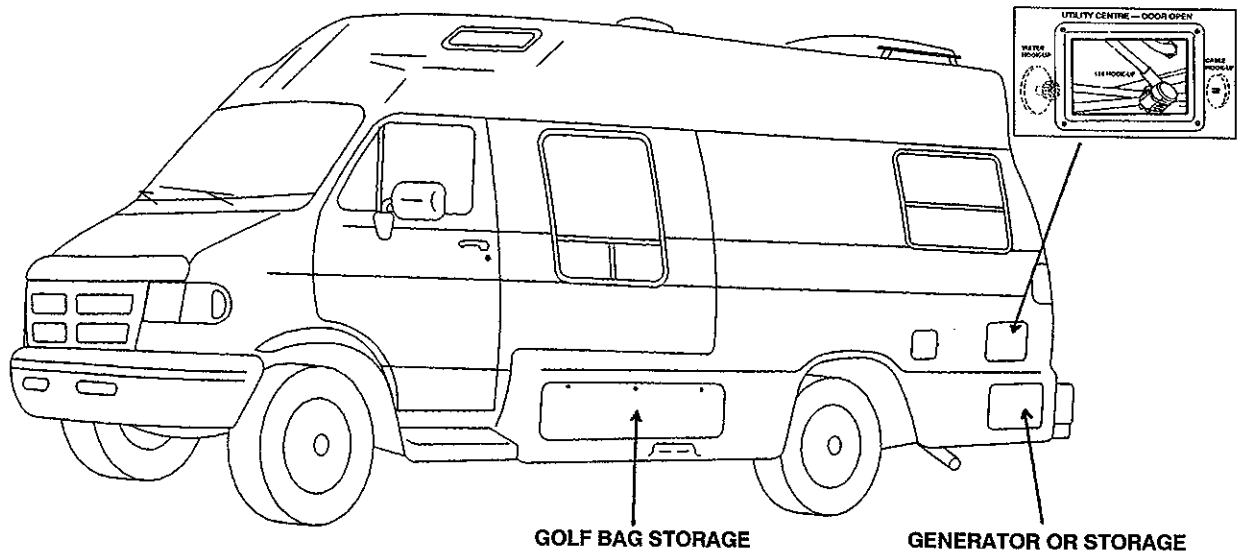
Exterior Features

All lockable doors operate on one key. No fumbling for separate keys.

Exterior shower

- A shower head on a flexible hose delivers hot and cold water.
- Useful for cleaning dirty dishes or cleaning fish on the outside table.
- Rinsing off feet at the beach.





- Bathing pets
- Etc.

Rear right storage compartment

This is a neat place to store the outdoor cooking package.

Battery compartment.

- This battery slide-out tray normally holds one battery. For motor homes with an INVERTER, the unit carries two batteries.
- **Note - Check battery water level periodically! Refill with distilled water only.**
- When washing vehicle, slide out battery tray and wash away road residue and grit. This slide out tray requires regular maintenance.

Rear left storage compartment

This is the generator compartment. If generator is not taken, it becomes additional storage. This additional storage compartment is accessible from both sides of the vehicle and from within the coach between the rear dinettes or under the rear sofa.

Generator

- The generator oil level is easily checked. The oil filter is underneath the generator. Four

bolts, also underneath, drop the unit right down to the ground for easy maintenance. The generator is fuelled from the main vehicle fuel tank.

- The remote starter switch is located just above the driver's seat. Flick the switch to start the generator and a little blue light indicates that it's running.
- A low oil level safety shut off switch is included with all Onan generators.

IMPORTANT

Allow the generator to warm up before turning on your appliances.

Utility centre hook-up compartment

- 110 volt hook-up
- Cable TV hook-up
- Telephone hook-up
- City water hook-up. Your motor home comes equipped with a collapsible water hose attached to the water inlet. Simply unravel and connect to the city water supply. When disconnecting, roll up and store in compartment. Slowly squeeze water from the hose before storing.
- Water pressure regulator and blow out plug

Golf Bag Storage

The golf bag storage compartment on the driver side of your coach is a large 178.3 litre storage box. The box is large enough to store two golf bags and has a load capacity of 68 kg.

Propane bottle compartment

- This includes a 28 lb. propane tank.
- A barbecue "T" comes standard in every unit. Here's the place to attach a 20 foot-hose which provides the propane for the optional outdoor cooking package.
- This hook-up allows use of any high pressure barbecue setups.

Miscellaneous exterior features

- Ladder for upper storage.
- Factory transmission cooler maximum radiator size.
- Roof rack.
- Electrical trailer towing plug.
- Spare tire and continental cover.
- ABS brakes on the rear wheels only.
- Your motor home comes equipped to tow any trailer up to 5,000 pounds. If you want to tow anything larger than 5,000 pounds, we recommend the optional 360 cu inch engine with a 4:10 differential.
- Trailers over 1,200 lbs. (550 kg) should be equipped with separate brakes.
- We install a trailer hitch that bolts on to the same brackets as the bumper. We can't use a normal receiver because of the storage compartment underneath. Now an equalizer hitch will pull any desired weight. The hitch is designed and built by Leisure Travel Vans Ltd. For wiring see Chrysler owners manual page 116 - 121.

Protection & Handling

Handling & safety package

- The engineers at Leisure Travel Vans Ltd. wanted you to be at ease, and feel at ease. So while they constructed the stylish, high grade fiberglass body and roof, they embedded a laminated wood brace that wraps around the motor home, to make it stronger and more resistant to the usual twisting and flexing.
- Also included is a roll bar over the forward driver/passenger area made from a combination of laminated wood and fiberglass which is stronger than steel.

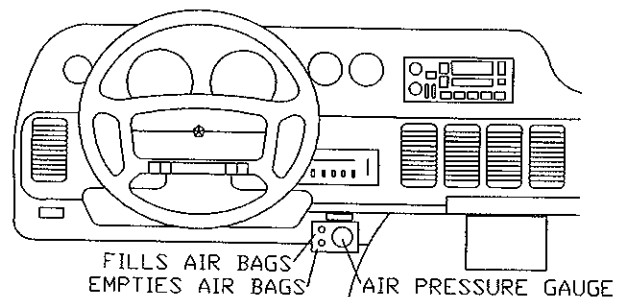
Optional safety features

1. SAFE-T-PLUS hydraulic unit in the steering system to maintain straight-ahead-steering for the unexpected road hazard such as pavement drops sheer winds or tire blowouts.
2. The Firestone Ride Rite System, a type of air bag rear suspension system which further braces the motor home against the unexpected road hazard.

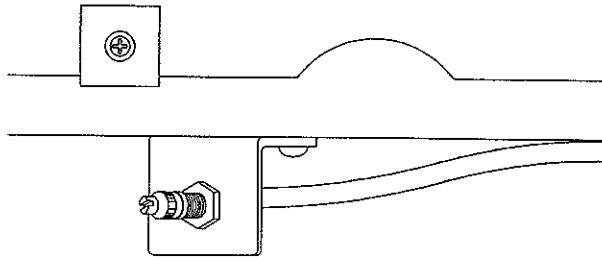
Simply pressing a button on the gauge (mounted under the dash) immediately eliminates sway which improves road handling and safety. It allows for levelling adjustments of several inches, up or down, when driving.

When air is pumped into the air bags, the gauge will flutter. This is normal operation and does not warrant servicing.

Under normal use the air bags may lose a few lbs. of air per week. This is normal.



Manual fill is located under the hood. A pressure gauge will tell you how much air is in your air bag system.



MANUAL AIRBAG FILL UNDER HOOD

**NEVER HAVE AIR PRESSURE
LOWER THAN 10 LBS.
OR HIGHER THAN 100 LBS.**

Electrical System

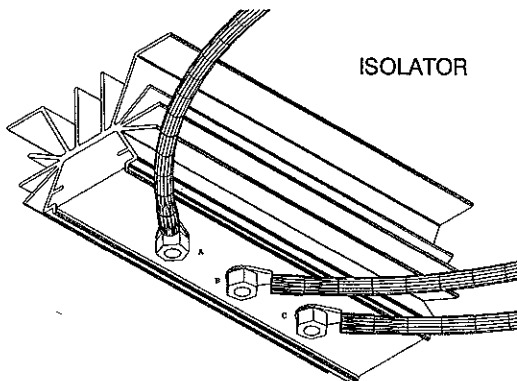
Front Battery

This starts your Leisure Travel Motor Home and runs the accessories — radio, courtesy lights. The front battery does not provide power for the living space accessories.

Battery isolator

The isolator separates the front battery from the rear battery, so that when the ignition is turned off you use rear battery power. You never need worry about being out of power because of a dead battery.

If for some reason your front battery is dead, you can start your van using the rear battery. To do this locate the isolator under the hood. Take a jumper cable and connect wires "A" and "C". Start your van and disconnect the jumper cable.



All lighting is 12 volt. Power is drawn from the rear battery when not plugged into shore power. The converter converts 110 power to 12 volt when plugged in so as not to drain your battery. The converter also charges your battery if needed.

Interior lights defeat feature

To provide for recreational uses of this vehicle, the headlight switch has a position which will defeat the interior lights even if a door is left open. When the headlight switch is rotated fully clockwise, past the detent, all instrument panel lights are fully dimmed and the interior lights will not come on if a door is opened. This feature allows a door to be left open for extended periods of time without draining the battery. Rotating the headlight switch counter clockwise restores normal operation of the interior lights.

NOTE

When the interior lights are defeated, the remote control mirror switch is also inoperative.

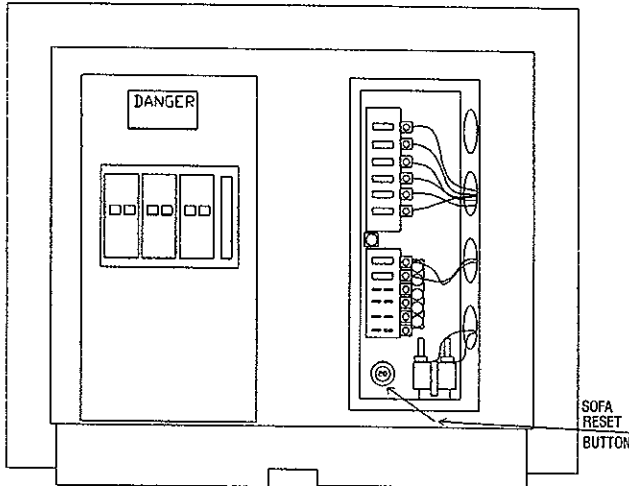
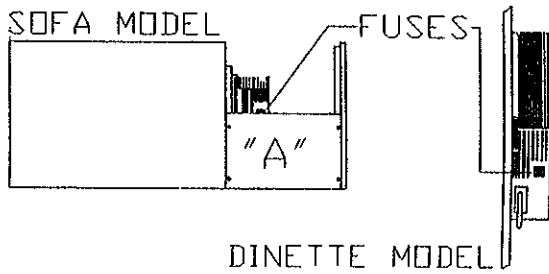
Converter maintenance

There are no parts in a converter that require any routine servicing or adjustment.

The converter contains a number of safety devices:

- Fluctuations of temperature or power usage are automatically monitored.
- If the battery is connected backwards the two 30 amp fuses will blow. If this occurs hook up the battery correctly before replacing the fuses.
- A sensor that eliminates damage to the converter if the terminals are "short circuited".

If your appliances fail to function, check the fuses located under the front of the sofa — or on the front of the dinette in a dinette model. The sofa has a reset button directly below the fuse panel. (remove the front plate by pulling the two plastic knobs to locate it) The converter itself has two 30 amp fuses. To access these remove the panel "A" under the sofa or look inside the driver side dinette.



Fuses are numbered 1-8 from top to bottom.

- | | |
|-------------------------------------|--------------------------|
| 1 - 20 amp refrigerator | 5 - 15 amp monitor panel |
| 2 - 15 amp furnace | 6 - 15 amp 12V lights |
| 3 - 15 amp water heater & roof vent | 7 - 15 amp TV |
| 4 - 15 amp water pump | 8 - 15 amp CO detector |

It is of utmost importance that objects stored in the dinette or under the sofa do not obstruct the air flow to the converter. It must have properly ventilation

Automatic power transfer switch

- This switch automatically transfers power when switching between 110 volt shore power and generated power. It prevents damage to any circuitry should the operator forget to switch from one to the other.
- The switch is located beneath the rear sofa on the driver's side back corner (or under the di-

nette cover on some models).

- We provide wiring for one or the other, either the INVERTER or the generator.

Inverter (optional)

NOT AVAILABLE WITH GENERATOR

Converts 12 V battery power to 110 V household current. On this power you can run:

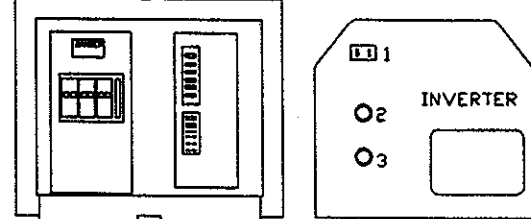
- Microwave oven
- Shaver
- Hair dryer
- Coffee maker
- Toaster
- Computer
- Curling iron
- Video games
- Other small appliances

Do not use

- Air conditioner
- Electric frying pan
- Electric kettle
- Anything using excessive power

LOCATED UNDER LEFT SIDE OF REAR SOFA OR IN REAR DINET

FUSE PANEL & BREAKER BOX



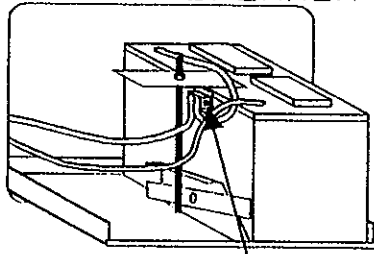
- 1 POWER - NOT FOR DISCONNECT.
- 2 INPUT - PUSH TO RESET
- 3 INV./CHRG. - PUSH TO RESET

How To Use Inverter

If cooking for a longer period of time, you should start your engine motor so that the battery can keep up the charge and doesn't draw down the current.

If cooking for 2 or 3 minutes, you can use the 12V battery power. Switch to "OFF" position when not using the inverter.

AMERICAN VANS AUXILIARY 12V BATTERY RESET BREAKER



RESET
BUTTON

Fibreglass Roof, Sidewalls, Bumpers and Running Boards

To best care, use a fibreglass polish. Doing so makes it easier to wash your motor home and prevents fading. Warranty on the fibreglass parts is for one full year from the date of purchase.

Pin striping

All pinstriping will be warranted by any Trim Line outlet (owned by 3M) U.S. or Canada. If there is a problem contact your local dealer.

Please use common sense when washing and maintaining your exterior finish. If using a pressure washer, a direct spray from the nozzle can damage the striping. Use a sponge or soft cloth to clean the striping areas of your unit.

Winterizing The Water System

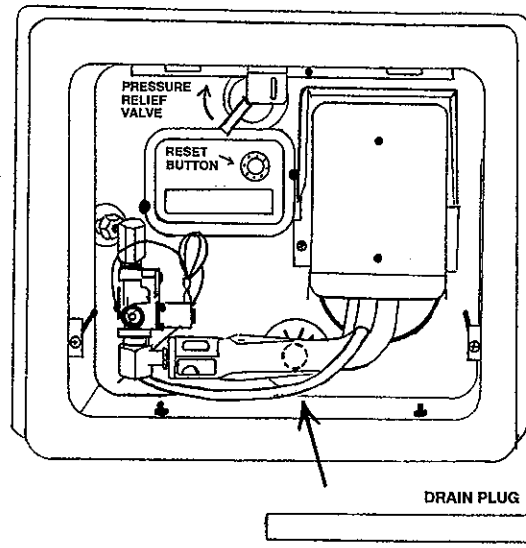
Winterizing means to drain all water from water system to prevent breaking from freezing temperatures. Steps 1 - 6.

1. Drain fresh water tank, either by drain or by

turning on pressure pump and letting water flow through sink. (This will shorten the life of your water filter). The drain valve is located on the passenger's side under the coach (look into the front of the wheelwell and reach under the coach).

2. Flush both gray and toilet tanks (black tank).
3. If equipped with hot water heater, open outside lid of hot water heater and drain the tank. Drain is located at the bottom of the tank. At the same time lift pressure relief valve, which is located at the top of the tank. If you don't open the pressure relief valve, water will not drain. Or, you can turn on hot water faucet. After all water is removed, close the release valve and drain valve.

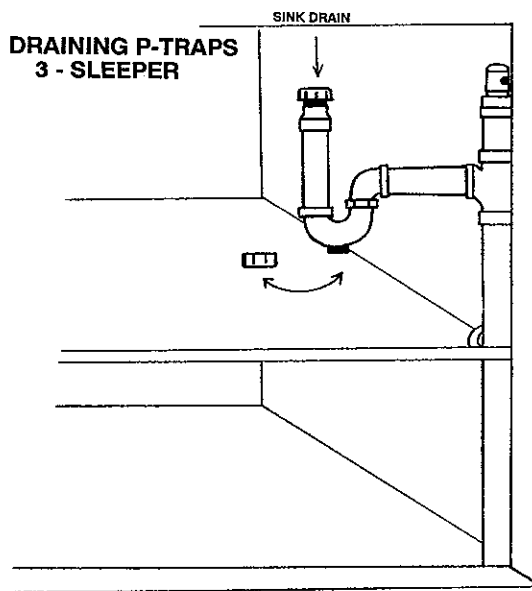
HOT WATER TANK



4. Hook up an airline to your city water hook-up. Open all faucets and flush toilet until only air comes out. If you do not have an air compressor near by, you can do this at any service station. You need an adaptor from your city water hook-up to an air hook-up.

Do not let any antifreeze run through your filter and your water system as this will harm your filter.

5. Just below sink drain is a P-trap. At the bottom of the elbow is a drain plug. Unscrew the plug. Use a container (a bit larger than a cup) to catch the water. Replace cap and tighten. If this is inconvenient, put about 1 (one) cup of RV antifreeze into sink.



6. Make sure there is no water in the pump. Undo nut that faces forward. There are only a few drops of water in there. Hand tighten fitting, and your done!

Using Your Motor Home In Below Zero Temperatures

Make sure gray holding tank is empty at all times. Pour 1/2 gallon of RV antifreeze into toilet bowl and flush. This prevents outside valve from freezing.

It is recommended that you take a water container along for your fresh water supply.

The toilet can be flushed without fresh water supply. The black water tank is located inside the motor home and as long as it is kept warm, nothing will freeze.

When using the sink, let water run down to holding tank. Make sure gray holding tank valve is open so water can run out before it freezes.

If you do not wish to take along a fresh water container, you may use the fresh water tank, but only if it is insulated. Depending on how cold the weather is and how long you leave the water in the tank, it

can still freeze. You will have to judge this for yourself.

If you're FINISHED using your Leisure Travel Motor Home in the cold weather, follow the winterizing Steps 1-6.

If you have not used the fresh water tank you only need steps 2 and 5.

Make sure that you don't run any RV antifreeze through the water line — only into the sink drain.

Winter Driving

1. When driving in extremely cold weather a 'winter front' should be installed in front of the grill, because the van is equipped with a transmission cooler, and the transmission oil could get too cold, possibly damaging the transmission.

About Your Dodge Van

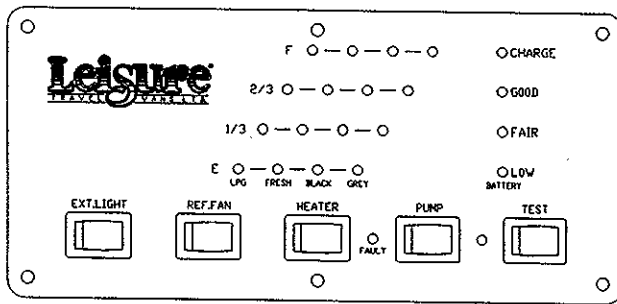
1. When driving in the city DO NOT use 'OVERDRIVE'.
2. When driving in hilly or mountainous road conditions, push 'OVERDRIVE' to OFF to prevent the transmission from shifting back and forth unnecessarily.
3. If towing a trailer or heavy boat, make sure the 'OVERDRIVE' is OFF. This includes everything that is over 2500 lbs.
4. In extremely cold weather do not use overdrive.

Monitor Panel

Systems monitor

Black button

This is the test button. Push it and all lights go on to show you the levels in each of the tanks: LPG, fresh water, holding or black, and gray.



THE MONITOR PANEL ALSO HAS A BATTERY INDICATOR:

L (low) F (fair) G (good) C (charging)

At 'F' there is still plenty of power left in the battery.

NOTE: A Systems Monitor warranty registration card is included with your Leisure Travel Motor Home. Please be sure you fill in the form and return it to the address indicated.

Optional Equipment

Rear air conditioning

If any problems are encountered, the dealership will contact the nearest air conditioning repair location.

Screen package

Screen packages are available for the factory side door and factory rear door.

Flip-up sink

The flip-up sink is an optional plastic sink in the bathroom of a 2 seater "A", 3 seater, or 4 seater. To use it, pull down the bowl and fill it with water. Once you are finished, flip the bowl up for draining and convenient storage.

Microwave oven

"Microwaving" means to cook, heat or defrost foods with microwave energy. Just like any other type of cooking, it has its own characteristics and with a little practice microwaving can take over many of

your top-of-the-range jobs with LESS time, LESS attention and LESS cleanup. Leisure Travel Motor Homes recommends the

- TENDER COOKER (microwave pressure cooker) for a safe, simple, and quick method of food preparation in your motor home. It will roast, brown and tenderize up to 3-1bs of juicy beef, pork or poultry in 30 minutes or less.
- Gentle pressure makes food more tender, flavorful and healthy.
- Reduces conventional cooking times by 75%.
- Superb for vegetables, especially cauliflower, broccoli and artichokes.
 - 2 1/2 quart capacity
 - Convenient 8" x 10" size
 - Triple pressure relief system assures safe operation.
 - Saves energy and cooking time.

Address:

Nordic Ware
Mail order dept.
P.O. Box 16132
Minneapolis, MN 55416-2276

Phone: USA 1-800-328-4310, ext. 629

Canada 1-612-920-2888

Outdoor cooking package.

A 2-burner stove, barbecue and table with mounting brackets allows you to cook outdoors without messy cleanup inside.

With the angle pipe, attach the barbecue to the coach, tap the gas line to the outside propane tank and then enjoy a delicious dinner cooked on the portable cooking package.

Barbecue pieces are conveniently stored in the basement storage compartment of the coach on the passenger's side. The table is stored in the clothes closet compartment of the coach in a 4 seater. In all other models it rests on the lip located at the base of the sink cabinet accessible from the side entrance.

Sound package

The Sound Package includes extension speakers and earphones (for TV). The earphones allow you to tune in (remote control) to the optional TV/VCP neatly tucked into the raised roof nose.

- This option is especially helpful for people hard-of-hearing.
- One person can sleep while another person is listening to the TV.
- The 2 seater "A" and 2 seater "B" models have a speaker/headset for the bed on the driver's side in the back as standard equipment. The 3 and 4 sleeper models include a speaker/headset for the bed on the driver's side in the back and a speaker/headset behind the driver's seat.
- Passengers can watch TV and not disturb the driver with the TV audio.

Awning

The awning is a carefree awning that is color coordinated with the van and is a great addition on a sunny day. The awning should not be left unattended or left out in the wind.

Add-A-Room

Attaches to awning. Keeps bugs away and creates an added comfort zone outside your motor home.

Standard Equipment

Smoke detector

Batteries should be checked periodically by pressing the test button. If smoke detector comes on when you're cooking, open up the detector door, pull battery back and it will disconnect.

Fire Extinguisher

- Located behind the captain's chair in a 4 seater and on the cabinet near the side entrance on all other models.
- Check operation instructions provided at time of purchase.
- Check pressure periodically.

Winter Storage

Inside your motor home

If your motor home is to be placed into winter storage, the following procedures are recommended.

- clean your motor home thoroughly, with particular emphasis given to appliances.
- after cleaning, prop refrigerator door open to prevent the build up of unpleasant odors. (Insert an open box of baking soda if desired).
- open a window slightly allowing sufficient air circulation to avoid the development of odors, condensation and mildew.
- to prevent sun rays from deteriorating and fading interior fabrics, cover all upholstered seats and cushions. As a further precaution, close all drapes tightly.
- a van cover is available as an option for storage of the van.

Outside your motor home

- ensure that all waste water tanks have been dumped and flushed and that the entire potable water system has been properly drained.
- cover all external vents to the refrigerator, exhaust fan, furnace and air conditioner (if so equipped), with heavy plastic sheeting to prevent entry by rodents and insects.
- to improve tire life and maintain performance, put your motor home up on blocks for the winter. Also, cover all tires exposed to sunlight to prevent deterioration from ultraviolet rays.
- consult your local automotive dealer regarding steps necessary to prevent engine and chassis damage during long periods of storage in your particular region.

Spring start up

Following a storage period, reactivate your Leisure Travel Motor Home by hooking up the water pump. Pressurize the water system and make sure it is not leaking. A visual check is all that is needed (watch it for 15 minutes). Clean all your appliances and

get the propane line purged by a reputable dealer. Make certain everything in the motorhome works properly. Consult the Chrysler Owners Manual for any chassis maintenance recommendations. Now you are ready to hit the road.

Warranty

Provisions of this warranty shall not apply to abuse or negligence, nor to accident, nor to unauthorized repairs or alterations, nor to normal maintenance, nor to normal deterioration due to wear and exposure.

This warranty is expressly in lieu of any other expressed or implied warranty, including any implied warranty of merchantability or fitness for a particular purpose and of any other obligations or liabilities on **Leisure Travel Motor Homes** which neither assumes nor authorizes any other person to assume for it any other liability in connection with motor home manufactured by it.

Conditions

Leisure Travel Motor Homes warranty is void unless the following conditions are adhered to:

1. There shall be no allowance for personal injury, property damage, lost wages, emergency road repair, towing, delivery, meals, accommodations, etc. that result from the performance or non-performance of items covered by this warranty, however caused.
2. All defective parts replaced under warranty **MUST BE RETURNED** to Leisure Travel Motor Homes, before reimbursement will be made.

Owner Responsibility

After pre-delivery check by the dealer, appliance adjustments, light bulbs and window screens are not covered by Leisure Travel Motor Home under warranty.

NOTES

Warning Labels

All vans are equipped with the following warning labels.

VIDEO AND AUDIO VARIATIONS MAY OCCUR WHILE VEHICLE IS IN MOTION DUE TO SIGNAL INTERFERENCE.

AD-73

On the TV screen.

THIS GAS PIPING SYSTEM IS DESIGNED FOR USE OF LIQUEFIED PETROLEUM GAS ONLY. DO NOT CONNECT NATURAL GAS TO THIS SYSTEM. DO NOT FILL CONTAINER(S) TO MORE THAN 80 PERCENT OF CAPACITY. Securely cap inlet(s) when not connected for use. After turning on gas, except after normal container replacement, test gas piping and connections to appliances for leakage with soapy water or bubble solution. Do not use products that contain ammonia or chloride.

AD-34

On the driver side running board.

WARNING
ALL PILOT LIGHTS, APPLIANCES, AND THEIR IGNITERS (SEE OPERATING INSTRUCTIONS) SHALL BE TURNED OFF DURING REFUELING OF MOTOR FUEL TANKS AND/OR L.P. - GAS CONTAINERS.

AD-05

On the driver side running board and on the gas-line filler door.

THIS CONNECTION IS FOR 110/125 VOLT AC, 60 HZ. 30 AMPERE SUPPLY.

AS-14B

On the utility center door.

EXIT

AD-27W

On the rear and side doors

WARNING: Test Smoke Detector operation after vehicle has been in storage, before each trip and at least once per week during use

AS-95

Near the smoke detector

THIS SEAT TO BE OCCUPIED IN FORWARD POSITION ONLY WHILE VEHICLE IS IN MOTION.

AD-22

Above the passenger side front door.

WARNING: PRIVACY CURTAINS ARE TO BE KEPT AWAY FROM THE RANGE WHEN IT IS IN OPERATION.
AVERTISSEMENT: TENIR LES RIDEAUX LOIN DE LA CUISINIÈRE LORSQUE CELLE-CI EST ALLUMÉE.

On privacy curtains that open near the stove.

WARNING	AVERTISSEMENT
<p>This system is designed for use with PROPANE only. DO NOT CONNECT NATURAL GAS TO THIS SYSTEM.</p> <p>Before turning on propane:</p> <ul style="list-style-type: none"> (a) Be certain appliances are certified for propane and are equipped with correct burner orifices. (b) Make certain all propane connections are tight by testing with soapy water, all appliance valves are turned off, and any unconnected outlets are capped. <p>After turning on propane:</p> <ul style="list-style-type: none"> (a) Light all pilots. (b) All connections including those at the appliances, regulators, and cylinders should be leak tested periodically with soapy water by the occupant. Never use a lighted match or other flame when checking for leaks. (c) Do not leave system turned on or containers connected until the system has been proven to be free of any leaks. (d) Cooling appliances should not be used for space heating. (e) When the containers are disconnected the propane supply line should be capped or plugged. <p>The operating pressure of this system is 13" water column.</p>	<p>Cette installation est conçue pour le propane seulement. NE PAS L'ALIMENTER EN GAZ NATUREL.</p> <p>Avant la mise en service:</p> <ul style="list-style-type: none"> (a) S'assurer que les appareils sont certifiés pour le propane et munis d'orifices de brûleur appropriés. (b) Vérifier l'étanchéité de tous les raccordements au propane, la fermeture de tous les robinets d'appareils et l'obturation de toutes les sorties non raccordées. <p>Après la mise en service:</p> <ul style="list-style-type: none"> (a) Allumer toutes les veilleuses. (b) L'occupant doit éprouver périodiquement l'étanchéité de tous les raccordements, y compris ceux aux appareils, aux détendeurs et aux bouteilles, en y appliquant de l'eau savonneuse. Ne jamais se servir d'une allumette ou autre flamme pour la détection des fuites. (c) Ne pas laisser l'alimentation ouverte, ni les récipients raccordés, avant d'avoir complété l'épreuve d'étanchéité au propane de l'installation. (d) Les appareils de cuisson ne doivent pas être utilisés pour le chauffage des locaux. (e) Lorsque les récipients sont déconnectés, l'alimentation de propane doit être obturée ou scellée. <p>La pression de service de ce système est d'une colonne d'eau de 13"</p>

On the propane regulator cover.

IF YOU SMELL GAS

1. Extinguish any open flames, pilot lights and all smoking materials.
2. Do not touch electrical switches.
3. Shut off the gas supply at the tank valve(s) or gas supply connection.
4. Open doors and other ventilating openings.
5. Leave the area until odor clears.
6. Have the gas system checked and leakage source corrected before using again.

DD-80

On the stove cover

WARNING:

IT IS NOT SAFE TO USE COOKING APPLIANCES FOR COMFORT HEATING!

Cooking Appliances need fresh air for safe operation.

BEFORE OPERATION:

1. Open overhead vent or turn on exhaust fan, and
2. Open window.

DD-26C

On the stove cover

The following are only used when applicable

WHEN SOFA IS IN OPEN POSITION, PLEASE VELCRO UP THE SOFA SKIRTING. THIS WILL ALLOW PROPER AIR MOVEMENT FOR THE FURNACE.

LORSQUE LE CANAPÉ EST OUVERT, FIXER LA JUPE AVEC LE VELCRO AFIN DE PERMETTRE LA CIRCULATION D'AIR POUR LA CHAUFRETTE.

On the cabinet near the dinnette

WHEN SOFA IS IN OPEN POSITION, PLEASE VELCRO UP THE SOFA SKIRTING. THIS WILL ALLOW PROPER AIR MOVEMENT FOR THE FURNACE.

LORSQUE LE CANAPÉ EST OUVERT, FIXER LA JUPE AVEC LE VELCRO AFIN DE PERMETTRE LA CIRCULATION D'AIR POUR LA CHAUFRETTE.

Near the sofa switch on the rear wall

IMPORTANT:

Lift sink slowly to avoid spills

On the flip up sink.